

TRK
702

TRK
702X

Owner's Manual

Read this manual carefully before operating this vehicle. This manual should stay with this vehicle if it is sold.

Welcome to the Benelli world of motorcycling!

Please take the time to read this manual thoroughly, so as to enjoy all advantages of your TRK 702 / TRK 702X. The Owner's Manual does not only instruct you in how to operate, inspect and maintain your motorcycle, but also in how to safeguard yourself and others from trouble and injury.

In addition, the many tips given in this manual will help keep your motorcycle in the best possible condition.

If you have any further questions, do not hesitate to contact your Benelli dealer.

The Benelli team wishes you many safe and pleasant rides. So, remember to put safety first!

Benelli continually seeks advancements in product design and quality. Therefore, while this manual contains the most current product information available at the time of printing, there may be minor discrepancies between your motorcycle and this manual. If there is any question concerning this manual, please consult a Benelli dealer.



WARNING

Please read this manual carefully and completely before operating this motorcycle.

NOTE

Product and specifications are subject to change without notice.

Introduction

Particularly important information is distinguished in this manual by the following notations:



This is the safety alert symbol. It is used to alert you to potential personal injury hazards. Obey all safety messages that follow this symbol to avoid possible injury or death.



A WARNING indicates a hazardous situation which, if not avoided, could result in death or serious injury.

NOTICE

A NOTICE indicates special precautions that must be taken to avoid damage to the vehicle or other property.

NOTE

A NOTE provides key information to make procedures easier or clearer.

**TRK 702 / TRK 702X (EU5)
OWNER'S MANUAL
Benelli Q.J. s.r.l.
2023**

**All rights reserved.
Any reprinting or unauthorized use
without the written permission of
Benelli Q.J. s.r.l. is expressly prohibited.**

Table of contents

Safety information1-1

Description.....2-1

- Left view.....2-1
- Right view.....2-2
- Controls and instruments.....2-3

Instrument and control functions.....3-1

- Key.....3-1
- Main switch/steering lock.....3-1
- Multifunction display.....3-3
- Multifunction display controls.....3-7
- Handlebar switches.....3-11
- Clutch lever3-13
- Shift pedal3-13
- Brake lever.....3-13
- Brake pedal.....3-14
- ABS.....3-14
- Fuel tank cap.....3-15
- Fuel.....3-16
- Catalytic converter.....3-17
- Seats.....3-18
- Adjusting the headlight beams.....3-18
- Auxiliary USB jack.....3-19
- Shock absorber setting.....3-20
- Sidestand.....3-22
- Ignition circuit cut-off system.....3-22

For your safety – pre-operation checks4-1

Operation and important riding points.....5-1

- Starting the engine.....5-1
- Shifting.....5-2
- Tips for reducing fuel consumption.....5-2
- Engine break-in.....5-3
- Parking.....5-3

Periodic maintenance and adjustment.....6-1

- Owner's tool kit.....6-2
- General maintenance and lubrication chart.....6-3
- Checking the spark plugs.....6-9
- Canister.....6-10
- Engine oil and oil filter cartridge6-10
- Coolant.....6-13
- Air filter element.....6-15
- Checking the engine idling speed.....6-15
- Checking the throttle grip free play.....6-15
- Valve clearance.....6-16
- Tires6-16
- Adjusting the clutch lever free play6-18
- Checking the brake lever free play6-19

- Brake light switches.....6-19
- Checking the front and rear brake pads.....6-20
- Checking the brake fluid level6-20
- Changing the brake fluid.....6-21
- Drive chain slack.....6-22
- Cleaning and lubricating the drive chain.....6-23
- Checking and lubricating the cables.....6-24
- Checking and lubricating the throttle grip and cable.....6-24
- Checking and lubricating the brake and shift pedals.....6-24
- Checking and lubricating the brake and clutch levers.....6-25
- Checking and lubricating the sidestand.....6-26
- Checking the front fork.....6-26
- Checking the steering.....6-27
- Checking the wheel bearings.....6-28
- Battery6-28
- Replacing the fuses.....6-30
- Brake/tail light and the turn signal light6-31
- Auxiliary lights.....6-31
- Troubleshooting.....6-31
- Troubleshooting charts6-33

Motorcycle care and storage..... 7-1

- Matte color caution..... 7-1
- Cleaning..... 7-1
- Storage..... 7-3

Specifications.....8-1

- Electric System..... 8-3

Consumer information..... 9-1

- Identification numbers..... 9-1
- Diagnostic connector..... 9-2
- B-Box connector.....9-2
- Vehicle data recording..... 9-3

Regular maintenance coupons.....10-1

Be a Responsible Owner

As the vehicle's owner, you are responsible for the safe and proper operation of your motorcycle.

Motorcycles are single-track vehicles.

Their safe use and operation are dependent upon the use of proper riding techniques as well as the expertise of the operator.

Every operator should know the following requirements before riding this motorcycle.

He or she should:

- Obtain thorough instructions from a competent source on all aspects of motorcycle operation.
- Observe the warnings and maintenance requirements in this Owner's Manual.
- Obtain qualified training in safe and proper riding techniques.
- Obtain professional technical service as indicated in this Owner's Manual and/or when made necessary by mechanical conditions.
- Never operate a motorcycle without proper training or instruction. Take a training course. Beginners should receive training from a certified instructor. Contact an authorized motorcycle dealer to find out about the training courses nearest you.

Safe Riding

Perform the pre-operation checks each time you use the vehicle to make sure it is in safe operating condition. Failure to inspect or maintain the vehicle properly increases the possibility of an accident or equipment damage. See page 4-1 for a list of pre-operation checks.

- This motorcycle is designed to carry the operator and a passenger.
- The failure of motorists to detect and recognize motorcycles in traffic is the predominating cause of automobile/motorcycle accidents. Many accidents have been caused by an automobile driver who did not see the motorcycle. Making yourself conspicuous appears to be very effective in reducing the chance of this type of accident.
Therefore:
 - Wear a brightly colored jacket.
 - Use extra caution when you are approaching and passing through intersections, since intersections are the most likely places for motorcycle accidents to occur.
 - Ride where other motorists can see you. Avoid riding in another motorist's blind spot.
 - Never maintain a motorcycle without proper knowledge. Contact an authorized motorcycle dealer to inform you on basic motorcycle maintenance. Certain maintenance can

- only be carried out by certified staff.
- Many accidents involve inexperienced operators. In fact, many operators who have been involved in accidents do not even have a current motorcycle license.
- Make sure that you are qualified and that you only lend your motorcycle to other qualified operators.
- Know your skills and limits. Staying within your limits may help you to avoid an accident.
- We recommend that you practice riding your motorcycle where there is no traffic until you have become thoroughly familiar with the motorcycle and all of its controls.
- Many accidents have been caused by error of the motorcycle operator. A typical error made by the operator is veering wide on a turn due to excessive speed or undercornering (insufficient lean angle for the speed).
- Always obey the speed limit and never travel faster than warranted by road and traffic conditions.
- Always signal before turning or changing lanes. Make sure that other motorists can see you.
- The posture of the operator and passenger is important for proper control.
- The operator should keep both hands on the handlebar and both

Safety information

feet on the operator footrests during operation to maintain control of the motorcycle.

- The passenger should always hold onto the operator, the seat strap or grab bar, if equipped, with both hands and keep both feet on the passenger footrests. Never carry a passenger unless he or she can firmly place both feet on the passenger footrests.
- Never ride under the influence of alcohol or other drugs.
- This motorcycle is designed for on-road use only. It is not suitable for off-road use.

Protective Apparel

The majority of fatalities from motorcycle accidents are the result of head injuries. The use of a safety helmet is the single most critical factor in the prevention or reduction of head injuries.

- Always wear an approved helmet.
- Wear a face shield or goggles. Wind in your unprotected eyes could contribute to an impairment of vision that could delay seeing a hazard.
- The use of a jacket, heavy boots, trousers, gloves, etc., is effective in preventing or reducing abrasions or lacerations.
- Never wear loose-fitting clothes, otherwise they could catch on the

control levers, footrests, or wheels and cause injury or an accident.

- Always wear protective clothing that covers your legs, ankles, and feet. The engine or exhaust system become very hot during or after operation and can cause burns.
- A passenger should also observe the above precautions.

Avoid Carbon Monoxide Poisoning

All engine exhaust contains carbon monoxide, a deadly gas. Breathing carbon monoxide can cause headaches, dizziness, drowsiness, nausea, confusion, and eventually death. Carbon Monoxide is a colorless, odorless, tasteless gas which may be present even if you do not see or smell any engine exhaust. Deadly levels of carbon monoxide can collect rapidly and you can quickly be overcome and unable to save yourself.

Also, deadly levels of carbon monoxide can linger for hours or days in enclosed or poorly ventilated areas. If you experience any symptoms of carbon monoxide poisoning, leave the area immediately, get fresh air, and SEEK MEDICAL TREATMENT.

- Do not run engine indoors. Even if you try to ventilate engine exhaust with fans or open windows and doors, carbon monoxide can rapidly reach dangerous levels.
- Do not run engine in poorly ventila-

ted or partially enclosed areas such as barns, garages, or carports.

- Do not run engine outdoors where engine exhaust can be drawn into a building through openings such as windows and doors.

Loading

Adding accessories or cargo to your motorcycle can adversely affect stability and handling if the weight distribution of the motorcycle is changed. To avoid the possibility of an accident, use extreme caution when adding cargo or accessories to your motorcycle.

Use extra care when riding a motorcycle that has added cargo or accessories. Here, along with the information about accessories below, are some general guidelines to follow if loading cargo to your motorcycle:

The total weight of the operator, passenger, accessories and cargo must not exceed the maximum load limit.

Operation of an overloaded vehicle could cause an accident.

Maximum load:

202 Kg (TRK702) - 197 Kg (TRK702X)

When loading within this weight limit,

keep the following in mind:

- Cargo and accessory weight should be kept as low and close to the motorcycle as possible. Securely pack your heaviest items as close to the center of the vehicle as possible and make sure to distribute the weight as evenly as possible on both sides of the motorcycle to minimize imbalance or instability.
- Shifting weights can create a sudden imbalance. Make sure that accessories and cargo are securely attached to the motorcycle before riding. Check accessory mounts and cargo restraints frequently.
- Properly adjust the suspension for your load (suspension-adjustable models only), and check the condition and pressure of your tires.
- Never attach any large or heavy items to the handlebar, front fork, or front fender. These items, including such cargo as sleeping bags, duffel bags, or tents, can create unstable handling or a slow steering response.
- This vehicle is not designed to pull a trailer or to be attached to a sidecar.

Genuine Benelli Accessories

Choosing accessories for your vehicle is an important decision.

Genuine Benelli accessories, which are

available only from a Benelli dealer, have been designed, tested, and approved by Benelli for use on your vehicle.

Many companies with no connection to Benelli manufacture parts and accessories or offer other modifications for Benelli vehicles.

Benelli is not in a position to test the products that these aftermarket companies produce.

Therefore, Benelli can neither endorse nor recommend the use of accessories not sold by Benelli or modifications not specifically recommended by Benelli, even if sold and installed by a Benelli dealer.

Aftermarket Parts, Accessories, and Modifications

While you may find aftermarket products similar in design and quality to genuine Benelli accessories, recognize that some aftermarket accessories or modifications are not suitable because of potential safety hazards to you or others.

Installing aftermarket products or having other modifications performed to your vehicle that change any of the vehicle's design or operation characteristics can put you and others at greater risk of serious injury or death.

You are responsible for injuries related to changes in the vehicle.

Keep the following guidelines in mind, as well as those provided under "Loading"

when mounting accessories.

- Never install accessories or carry cargo that would impair the performance of your motorcycle. Carefully inspect the accessory before using it to make sure that it does not in any way reduce ground clearance or cornering clearance, limit suspension travel, steering travel or control operation, or obscure lights or reflectors.
- Accessories fitted to the handlebar or the front fork area can create instability due to improper weight distribution or aerodynamic changes. If accessories are added to the handlebar or front fork area, they must be and should be kept to a minimum.
- Bulky or large accessories may seriously affect the stability of the motorcycle due to aerodynamic effects. Wind may attempt to lift the motorcycle, or the motorcycle may become unstable in cross winds. These accessories may also cause instability when passing or being passed by large vehicles.
- Certain accessories can displace the operator from his or her normal riding position. This improper position limits the freedom of movement of the operator and may limit control ability, therefore, such accessories are not recommended.
- Use caution when adding electrical accessories. If electrical accessories

Safety information

exceed the capacity of the motorcycle's electrical system, an electric failure could result, which could cause a dangerous loss of lights or engine power.

Aftermarket Tires and Rims

The tires and rims that came with your motorcycle were designed to match the performance capabilities and to provide the best combination of handling, braking, and comfort.

Other tires, rims, sizes, and combinations may not be appropriate. Refer to page 6-16 for tire specifications and more information on replacing your tires.

Transporting the Motorcycle

Be sure to observe following instructions before transporting the motorcycle in another vehicle.

- Remove all loose items from the motorcycle.
- Check that the fuel cock (if equipped) is in the "☒" position and that there are no fuel leaks.
- Point the front wheel straight ahead on the trailer or in the truck bed, and choke it in a rail to prevent movement.
- Shift the transmission in gear (for models with a manual transmission).
- Secure the motorcycle with tie-downs or suitable straps that are

attached to solid parts of the motorcycle, such as the frame or upper front fork triple clamp (and not, for example, to rubber-mounted handlebars or turn signals, or parts that could break). Choose the location for the straps carefully so the straps will not rub against painted surfaces during transport.

- The suspension should be compressed somewhat by the tie-downs, if possible, so that the motorcycle will not bounce excessively during transport.

NOTE

.....

.....

.....

.....

.....

.....

.....

.....

.....

.....

Description

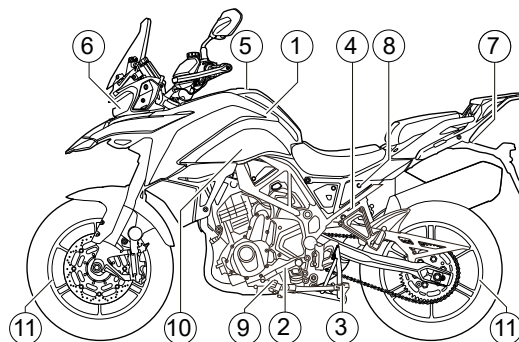
Left view

EN

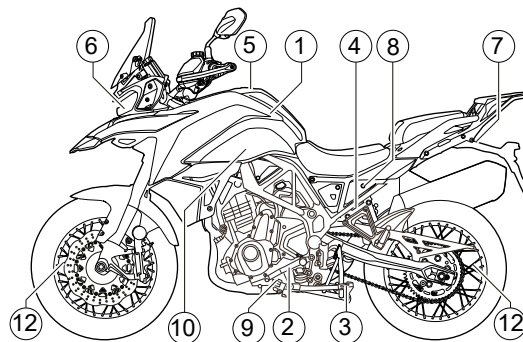
2

1. Fuel tank
2. Shift pedal
3. Sidestand
4. Rear shock absorber
5. Fuel tank cap
6. Headlight
7. Brake/tail light
8. Seat lock
9. Oil drain bolt
10. Air filter
11. Alloy rims (TRK702)
12. Spoked rims (TRK702X)

TRK702



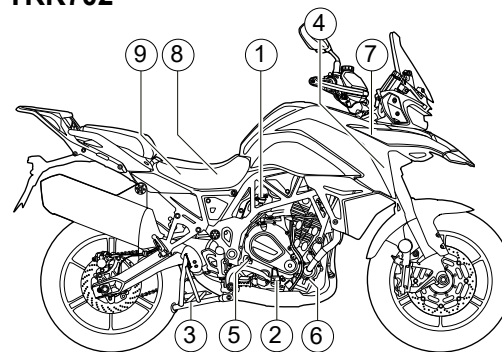
TRK702X



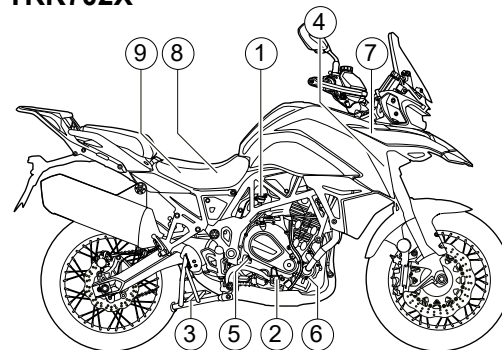
Right view

1. Rear brake fluid reservoir
2. Brake pedal
3. Main stand
4. Radiator cap
5. Engine oil filler cap
6. Coolant drain bolt
7. Coolant reservoir
8. Battery
9. Fuse box

TRK702



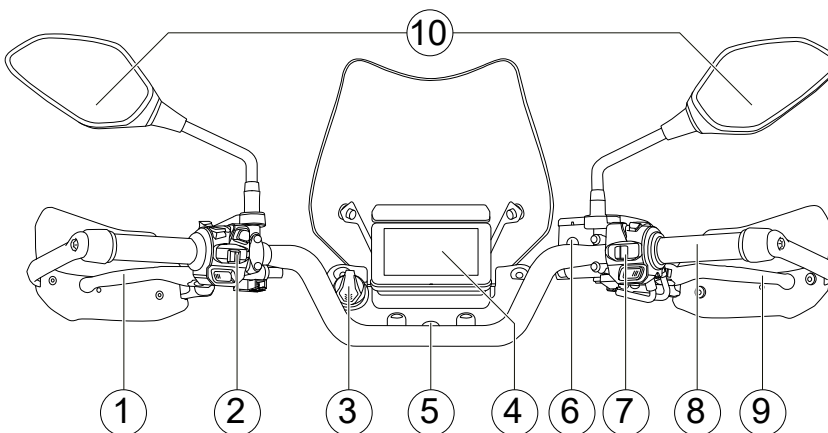
TRK702X



Description

Controls and instruments

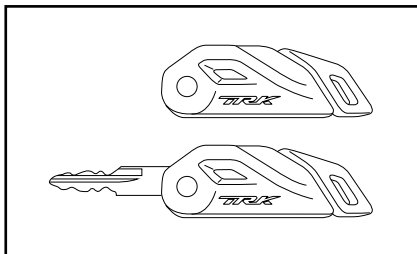
- 1. Clutch lever
- 2. Left handle switches
- 3. USB
- 4. Multifunction display
- 5. Main switch / steering lock
- 6. Front brake fluid reservoir
- 7. Right handle switches
- 8. Throttle grip
- 9. Brake lever
- 10. Rear view mirrors



Key

The bike is supplied with 2 keys for:

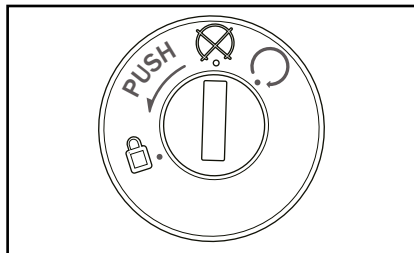
- Opening the fuel cap
- Steering lock
- Ignition
- Opening the saddle



NOTICE

- **Do not submerge any key in water.**
- **Do not expose any key to excessively high temperatures.**
- **Do not place heavy items on any key.**
- **Do not grind any key or alter its shape.**
- **Do not disassemble the plastic part of any key.**
- **Always keep duplicate keys separately from the bike.**

Main switch/steering lock



The main switch/steering lock controls the ignition and lighting systems, and is used to lock the steering.


The various positions are described below.

○ (on)

All electrical circuits are supplied with power.

The meter lighting, taillight, license plate light and auxiliary lights come on, and the engine can be started. The key cannot be removed.

NOTE



The headlights come on automatically when the engine is started and stay on until the key is turned to .

(off)

All electrical systems are off. The key can be removed.



WARNING

Never turn the key to “” or “” while the vehicle is moving. Otherwise the electrical systems will be switched off, which may result in loss of control or an accident.

(lock)

The steering is locked and all electrical systems are off. The key can be removed.

Instrument and control functions

To lock the steering:

- 1) Turn the handlebar completely to the left.
- 2) Insert the key in the ignition.
- 3) Press and turn the key anticlockwise, in the "🔒" position to lock the steering.
- 4) Remove the key.

EN

3

NOTE

To make it easier to engage the steering lock, move the handlebar slightly while turning the key.

NOTE

After locking, try turning the handlebar slightly to make sure that the steering is actually locked.

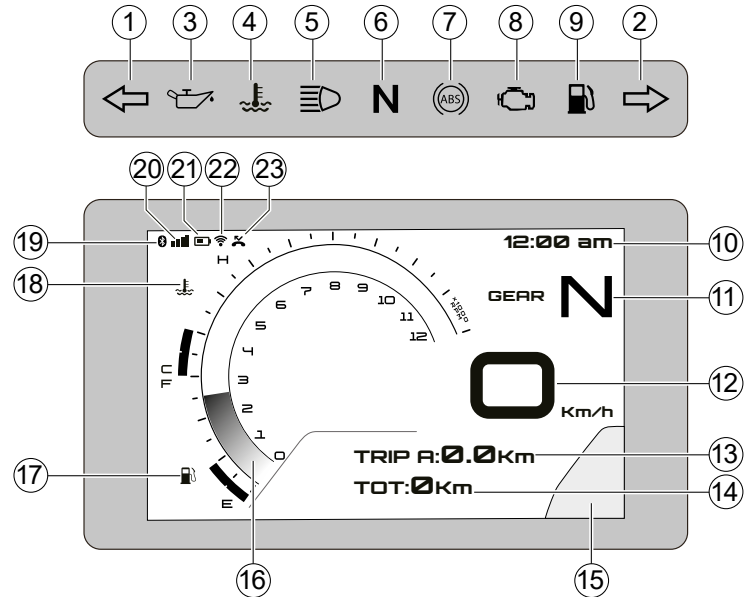
To unlock the steering:

- 1) Insert the key in the ignition.
- 2) Turn the key clockwise.
- 3) Make sure the steering block is not engaged before starting the engine and setting out.

Multifunction Display

DAYTIME MODE (LIGHT)

1. Turning indicator
2. Turning indicator
3. Engine oil pressure warning lamp
4. Water temperature warning lamp
5. High beam indicator lamp
6. Neutral indicator lamp
7. Abs warning lamp
8. Engine control system trouble warning lamp
9. Fuel level warning lamp
10. Clock
11. Gear indicator lamp
12. Speedometer
13. Trip meter
14. Odometer
15. Warning indicator
16. Tachometer
17. Fuel level indicator
18. Coolant temperature indicator
19. Bluetooth
20. Mobile signal strength
21. Mobile power display
22. Wifi icon
23. Missed call notification



Instrument and control functions

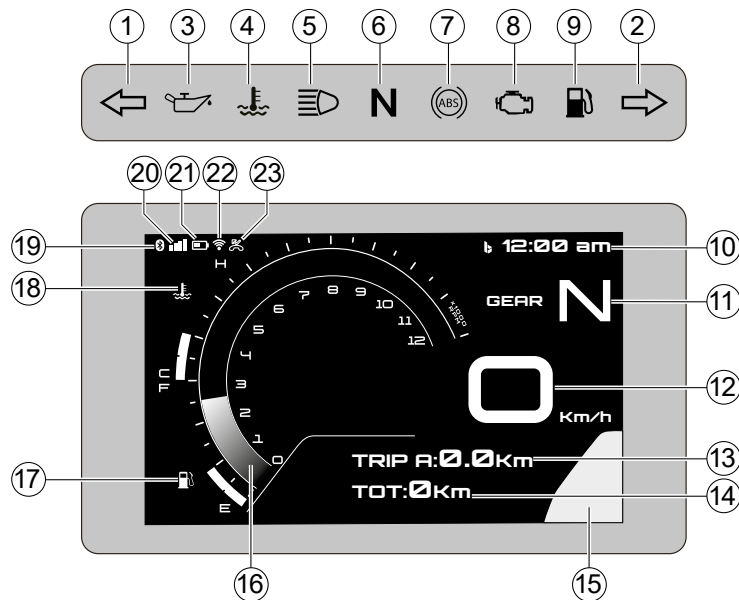
Multifunction Display

NIGHT MODE (DARK)

EN

3

1. Left turning indicator lamp
2. Right turning indicator lamp
2. Engine oil pressure warning lamp
4. Water temperature warning lamp
5. High beam indicator lamp
6. Neutral indicator lamp
7. Abs warning lamp
8. Engine control system trouble warning lamp
9. Fuel level warning lamp
10. Clock
11. Gear indicator lamp
12. Speedometer
13. Trip meter
14. Odometer
15. Warning indicator
16. Tachometer
17. Fuel level indicator
18. Coolant temperature indicator
19. Bluetooth
20. Mobile signal strength
21. Mobile power display
22. Wifi icon
23. Missed call notification



Left and right turning indicator lamp

Each indicator light will flash when its corresponding turn signal lights are flashing.

Neutral indicator lamp

This indicator light comes on when the transmission is in the neutral position.

High beam indicator lamp

This indicator light comes on when the high beam of the headlight is switched on.

Engine oil pressure warning lamp

This light switches on when the engine oil pressure is low.

It is possible to check the electrical circuit for the light by turning the key to "O".

Once the engine is running, the light should switch off.

If the light does not switch on when the key is turned to "O" or if the light stays on, get the electrical circuit checked by an authorised Benelli centre.

NOTE

- Even if the oil level is sufficient, the warning light may flicker when riding on a slope or during sudden acceleration or deceleration, but this

is not a malfunction.

- If a problem is detected in the oil level detection circuit, the oil level warning light will flash repeatedly. If this occurs, have an authorised Benelli centre check the vehicle.

Engine control system trouble warning lamp

This warning light comes on if a problem is detected in the engine or other vehicle control system. If this occurs, have a Benelli dealer check the on-board diagnostic system.

The electrical circuit of the warning light can be checked by turning the key to "O".

The warning light should turn on.

If the warning light remains on even after starting the engine, have the vehicle checked by an authorised Benelli centre..

Tachometer

The tachometer allows the rider to monitor the engine speed and keep it within the ideal power range.

Coolant temperature indicator

This shows the temperature of the coolant.

The coolant temperature varies with changes in the weather and engine load. If the warning lamp turn on, stop the vehicle then stop the engine and let it cool.



WARNING

Do not continue to operate the engine if it is overheating.

Clock

Shows the time in hours and minutes.

Fuel level indicator

The digital fuel level indicator shows the level of the fuel tank. As the fuel level drops, the lines on the gauge will become closer and closer to the "E" reserve area.

As soon as the final line starts to lash, there is an autonomy of about 4 litres of fuel.

Odometer

The odometer records the total distance traveled.

Trip meter

The trip odometer (TRIP A / TRIP B) indicates the distance traveled since the last one reset done.

- Short press of the "SELECT" key to switch from "TRIP A" mode to "TRIP B" mode.
- Long press of the "SELECT" button to reset the partial mileage.

Instrument and control functions

Gear indicator lamp

The gear indicator lamp shows the selected gear.

This model is equipped with 6 gears.

Abs warning lamp

1. **ABS error:** whenever any fault is detected and saved, the ABS diagnostic light is on.

2. **ABS activated:** When the instrument panel is on, the ABS diagnostic light will be on until the vehicle reaches the speed of about 5 km/h. Once having exceeded this speed, the diagnostic light will turn off.



WARNING

Usually the ABS diagnostic light stays on when the instrument panel is switched on and turns off when the vehicle speed is above 5 km/h.

If the ABS diagnostic light shows one of the following symptoms, one or more faults may have been occurred on the ABS system.

- The ABS diagnostic light does not go on when the instrument panel is switched on.
- The ABS diagnostic warning light also remains on when the vehicle speed exceeds approximately 5 km/h.

If this happens, have the vehicle checked at an authorised Benelli centre.

It is important to point out the fact that the ABS is not active when the light is on, but the braking system will continue working as a normal system not equipped with ABS.

In this situation, a hard braking may lock the wheels, causing slip and loss of stability of the motorcycle.

Fuel level warning lamp

Comes on when approximately 4 litres of fuel are left; in this case, fill up the tank as soon as possible.

Warning indicator

The icon will flash for 20 seconds when a failure or alarm light is present.

Bluetooth

If active, it indicates the presence of a device connected via Bluetooth.

Mobile signal strength

When the vehicle is connected to the smartphone via Bluetooth, the reception strength of the mobile device will be visible.

Mobile power display

When the vehicle is connected to the smartphone via Bluetooth, the remaining charge level will be visible.

WIFI icon

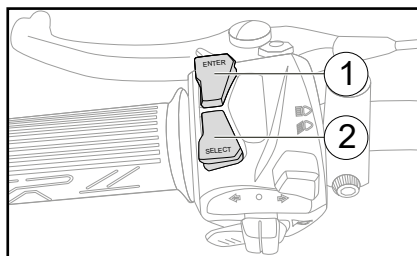
The WIFI icon will only be visible when the mobile device is connected via the WIFI network.

Missed call notification

The icon will be visible when the mobile device receives an unanswered call.

Multifunction display controls

Short press "ENTER" button to access the multifunction display menu. Press "SELECT" button to scroll through the items of the menu.



• BLUETOOTH



You can select ON / OFF in the BLUETOOTH menu.



Once the ON function has been selected, access the BLUETOOTH settings of the smartphone and select the network visible on the display for pairing. Once pairing is completed, the icon BLUETOOTH will appear on the display. It will be possible to view the charging level of the smartphone and receive notifi-

cations of missed calls.

• APPEARANCE



The following modes can be selected: LIGHT, DARK or AUTO.



When AUTO is selected, the brightness sensor will select the display viewing mode automatically based on the ambient brightness.

Instrument and control functions

• BRIGHTNESS



You can select 5 brightness levels or AUTO.



When AUTO is selected, the brightness sensor will adjust the display brightness automatically based on the ambient brightness.

• INFO



The fault codes present, the fault code history, the battery voltage, and the software version installed in the multifunction display can be viewed.

• CLOCK



It shows the time expressed in hours and minutes. After having accessed the CLOCK menu, the first digit starts blinking.



Short press the SELECT button to change the number or press ENTER to move the blinking digit to the next position. Once having completed the clock adjustment, wait 5 seconds to allow the display to go back to the main screen automatically.

• UNITS



It allows to switch the value of speed and distance travelled from km to miles.



• LANGUAGE



It allows to change the system language by selecting Italian, English, Spanish, French, and Deutsch.



Instrument and control functions

• WIRELESS CONNECTION

Press the ENTER button for 3 seconds with the bike stopped to access or exit the WIRELESS connection menu.



The WIRELESS connection menu allows to scan the QR code for downloading the App "CARBIT RIDE" from Play Store or App Store, for accessing the navigation mode on the vehicle.

NOTE

The download of a different application might be necessary over time.

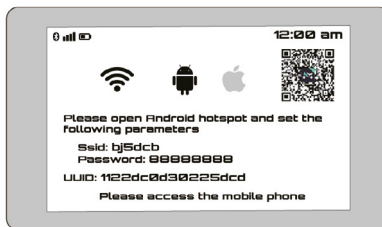
By short pressing "ENTER" button, the pairing menu of the multifunction display can be enabled/disabled.

By short pressing the SELECT button, the Android or Apple pairing mode can be selected.


Once having selected the related icon, press ENTER to confirm.

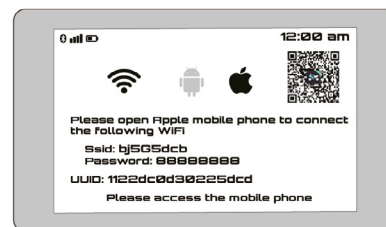
Android device

For connection to the multifunction display via Android device, create a Hotspot by entering the username and the password as shown on the display.



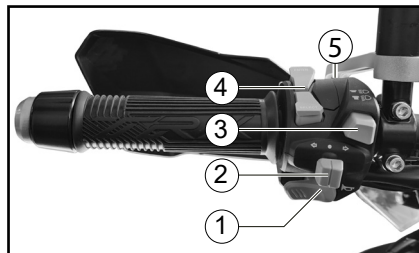
Apple device

For connection to the multifunction display via Apple device, access the WIFI menu of the phone and connect with the network shown on the display. Once the WIFI connection is completed successfully, the icon  will be displayed.



Handlebar switches

Left



1. Horn button
2. Turn signal switch
3. Dimmer / switch
4. ENTER / SELECT button
5. High beam flasher button

Horn button

Press this button to sound the horn.

Turn signal switch

To signal a right-hand turn, push this switch to . To signal a left-hand turn, push this switch to . When released, the switch returns to the center position.

To cancel the turn signal lights, push the switch in after it has returned to the center position.

Dimmer / switch

Set this switch to for the high beam and to for the low beam.

Select button

Short press SELECT button to set the multifunction display Trip A / Trip B. Press the button for at least 3 seconds to reset Trip A / Trip B. If the mobile device is connected with the multifunction display, the SELECT button will allow to answer an incoming call.

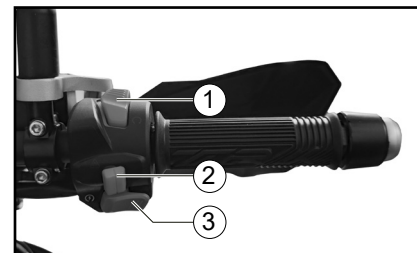
Enter button

When the vehicle is stationary, the multifunction menu can be accessed by short pressing the ENTER button. If the mobile device is connected with the multifunction display, a call can be answered by pressing the ENTER button.

High beam flasher button

It is used to attract the attention of other road users in case of danger. When the high beam is on, the function is inactive.

Right



1. Run / Start switch
2. Hazard switch
3. Electric ignition button

Run / Start switch

To crank the engine with the starter, set this switch to , see page 5-1 for starting instructions prior to starting the engine. Set this switch to to stop the engine in case of an emergency.

Hazard switch

With the ignition key set to use this switch to activate the hazard lights (simultaneous flashing of all direction indicators).

The emergency lights are used in case of emergency, to advise the other road users

Instrument and control functions

that your vehicle is about to stop in dangerous traffic areas.



WARNING

Do not use the emergency lights when the engine is off; this is to stop the battery from becoming flat.

Electric ignition button

Press this button to start the engine with the starter device.

EN

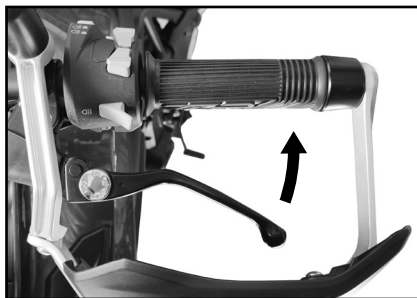
3

Clutch lever

The clutch lever is located on the left side of the handlebar.

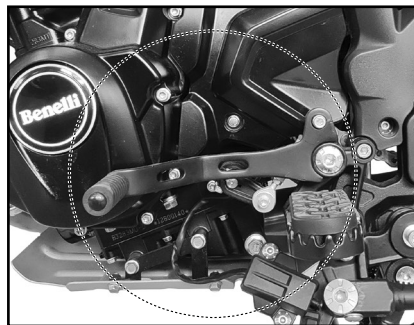
To disengage the clutch, pull the lever toward the handlebar grip. To engage the clutch, release the lever. The lever should be pulled rapidly and released slowly for smooth clutch operation.

The clutch lever is equipped with a clutch switch, which is part of the ignition circuit cut-off system.



Shift pedal

The shift pedal is located on the left side of the motorcycle. Is used in combination with the clutch lever when shifting the gears of the 6-speed constant-mesh transmission, equipped on this motorcycle.

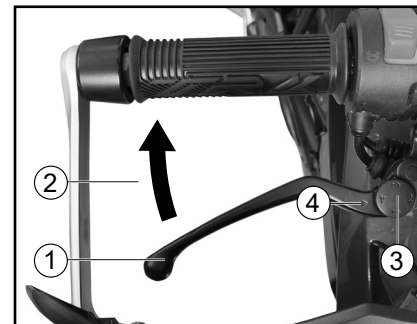


NOTE

Always change down one gear at a time and at the correct speed to avoid engine overspeed and jamming of the rear wheel.

Brake lever

The brake lever is located on the right hand grip of the handlebar. To engage the front brake, pull the lever towards the hand grip. The brake lever is equipped with an adjusting knob (3) of the position.



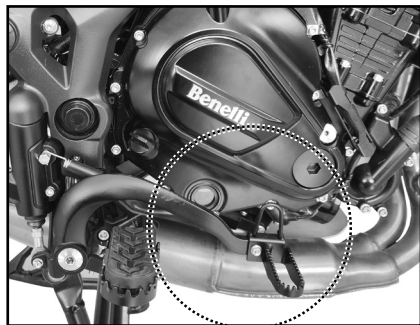
1. Brake lever
2. Distance between brake lever and throttle grip
3. Brake lever position adjusting knob
4. ▲ mark

To adjust the gap between the brake lever and the throttle hand grip, turn the knob clockwise or anticlockwise; by turning it anticlockwise, the lever moves closer, while it moves further away by turning it clockwise. Make sure that the correct adjustment, set from the adjustment gauge is in line with the reference ▲ (4).

Instrument and control functions

Brake pedal

The brake pedal is located on the right side of the motorcycle. To apply the rear brake, press down on the brake pedal.



ABS

The anti-lock system (ABS) is designed to prevent locking of wheels during braking. The ABS controls the braking power automatically and intermittently, allowing the wheels to gain grip on the road and increasing the vehicle stability.

- For more efficiency, use the front brake and the rear one at the same time and in the same manner, as on a vehicle without ABS.
- The ABS cannot compensate the road harsh conditions or an improper use of the braking system. During braking, act with the same care as in case of a vehicle without ABS.
- During cornering, it is advisable to use both brakes in a soft manner and to reduce the speed gradually. As on a traditional braking system, a hard and excessive braking may cause a sudden lock of the wheels and the motorcycle loss of control.
- During braking, the ABS will not prevent the rear wheel from raising from the ground.
- The ABS control unit always uses the vehicle speed data and wheel rotation speed. Do not use non-approved tyres to avoid ABS malfunctioning and cause an extension of the braking distance.

WARNING

The ABS cannot protect the rider from any danger and it is necessary to drive the vehicle in a responsible way. It is important to know the ABS operation and its limits.

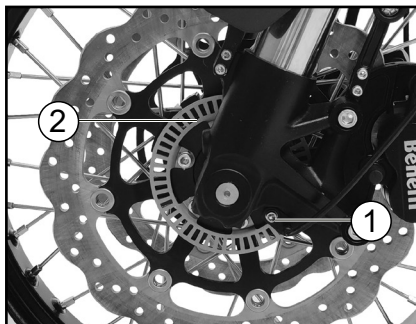
It is the responsibility of the rider to drive in a responsible way, according to the type of asphalt, road and traffic conditions.

NOTE

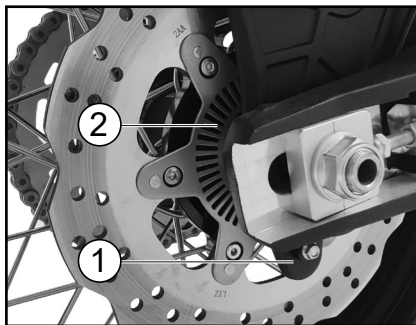
- The ABS light may go on during extreme driving conditions or in situations that lead to a different rotation speed of the front and rear wheels. In this situation, it is necessary to bring the ignition key to "OFF" position, and then back to "ON" position.
- If the light will still stay on even after having reached or exceeded the speed of about 5 km/h, contact an authorized Benelli service centre for checking.
- When the ABS is working, a pulsation may be felt on the brake lever or the pedal.
- The ABS is not active when the speed is below or equal to about 5 km/h.
- The ABS does not work in case of low battery.

NOTICE

Be careful not to damage the wheel sensor or wheel sensor rotor; otherwise, improper performance of the ABS will result.



1. Front wheel speed sensor
2. Front sensor rotor



1. Rear wheel speed sensor
2. Rear sensor rotor

Fuel tank cap



To open the fuel tank cap

Lift the fuel tank cap lock cover, insert the key into the lock, and then turn it 1/4 turn clockwise. The lock opens and it is possible to raise the fuel cap.

To close the fuel tank cap

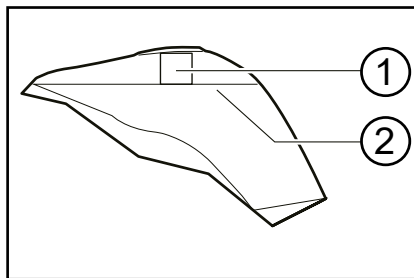
Close the fuel tank cap and turn the key back to its original position by turning it anticlockwise and then remove it.

Instrument and control functions

WARNING

Make sure that the fuel tank cap is properly closed after filling fuel. Leaking fuel is a fire hazard.

the bottom of the filler tube. Because fuel expands when it heats up, heat from the engine or the sun can cause fuel to spill out of the fuel tank.



1. Fuel tank filler tube
2. Maximum fuel level

- Wipe up any spilled fuel immediately.

NOTICE

Immediately wipe off spilled fuel with a clean, dry, soft cloth, since fuel may deteriorate painted surfaces or plastic parts.

- Be sure to securely close the fuel tank cap.

WARNING

Gasoline is poisonous and can cause injury or death. Handle gasoline with care. Never siphon gasoline by mouth. If you should swallow some gasoline or inhale a lot of gasoline vapor, or get some gasoline in your eyes, see your doctor immediately.

If gasoline spills on your skin, wash with soap and water. If gasoline spills on your clothing, change your clothes.

Recommended fuel:

Unleaded petrol (gasohol - containing Ethanol up to 10% by volume (E5 - E10))

Fuel tank capacity:

20 L ± 0.5L

Fuel reserve amount:

4 L

Fuel

Make sure there is sufficient gasoline in the tank.

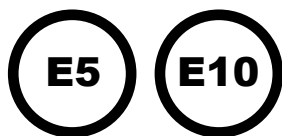
WARNING

Gasoline and gasoline vapors are extremely flammable. To avoid fires and explosions and to reduce the risk of injury when refueling, follow these instructions.

- Before refueling, turn off the engine and be sure that no one is sitting on the vehicle. Never refuel while smoking, or while in the vicinity of sparks or open flames.
- Do not overfill the fuel tank. When refueling, be sure to insert the pump nozzle into the fuel tank filler hole. Stop filling when the fuel reaches

NOTICE

Use only unleaded gasoline. The use of leaded gasoline will cause severe damage to internal engine parts, such as the valves and piston rings, both to the exhaust system including the catalytic converter.



NOTE

- This mark identifies the recommended fuel for this vehicle as specified by European regulation (EN228).
- Check that gasoline nozzle has the same identifier when fueling.

Your Benelli engine has been designed to use premium unleaded gasoline with a research octane number of 95 or higher. If knocking (or pinging) occurs, use a gasoline of a different brand. Use of unleaded fuel will extend spark plug life and reduce maintenance costs.

Gasohol

There are two types of gasohol: gasohol containing ethanol and that containing methanol. Gasohol containing ethanol can be used if the ethanol content does not exceed 10% (E10). Gasohol containing methanol is not recommended by Benelli because it can cause damage to the fuel system or vehicle performance problems.

Catalytic converter

This model is equipped with a catalytic converter in the exhaust system.



WARNING

The exhaust system reaches high temperatures after vehicle operation. To prevent the risk of fire and burns:

- Do not park the vehicle near fire-hazardous materials, such as vegetation or easily combustible materials.
- Park the vehicle out of the reach of children, people or animals.
- Make sure the exhaust system has cooled down before carrying out maintenance work on it.
- Avoid keeping the engine at idle speed for a prolonged time, in order to avoid an excessive increase in the temperature of the engine itself.

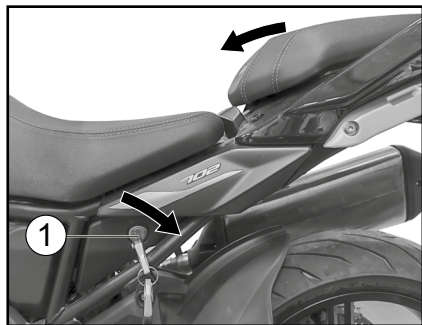
Instrument and control functions

Seats

Passenger seat

To remove the passenger seat:

1. Insert the key into the seat lock, and then turn it clockwise.



1. Seat lock

2. Lift the front side of the passenger seat and pull it forward.

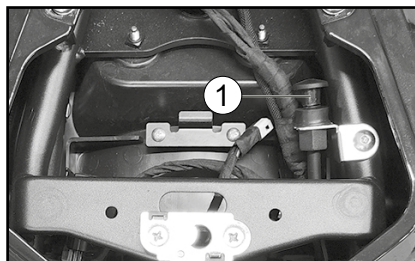
To install the passenger seat

1. Insert the projections on the rear side of the passenger seat into the relevant holders and then push the front side of the seat downwards to lock it in place.

Rider seat

To remove the rider seat

1. Pull the knob (1)
2. Lift the back of the rider seat and pull it backward.



To install the rider seat

1. Insert the projection on the front side of the rider seat into the relevant holder, and then push the back of the seat downward to lock it in place.

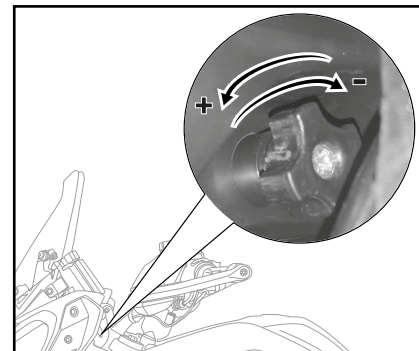
Adjusting the headlight beams

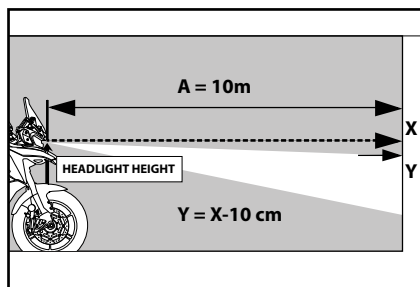
The headlight beam adjusting knob is used to raise or lower the height of the headlight beam. It may be necessary to adjust the headlight beam to increase visibility and help prevent blinding oncoming drivers when carrying more or less load than usual.

Follow local laws and regulations when adjusting the headlights.

To raise the headlight beam, turn the knob anticlockwise.

To lower the headlight beam, turn the knob clockwise.





Check if the headlamp is correctly oriented by positioning the vehicle at a distance (A) 10 m from a vertical wall, on which you have previously marked the point (X) corresponding to the height of the center of the light, and the point (Y) at a height of 10 cm lower than (X).

The light will be correctly oriented when the upper limit of the illuminated area coincides with the reference (Y).

The presence of any passengers or luggage affects the orientation of the light beam, therefore it is advisable to make the adjustment in the configuration with which you intend to use the vehicle.

Auxiliary USB jack



WARNING

To prevent electrical shock or short-circuiting, make sure that the cap is installed when the auxiliary (USB) jack is not being used.

NOTICE

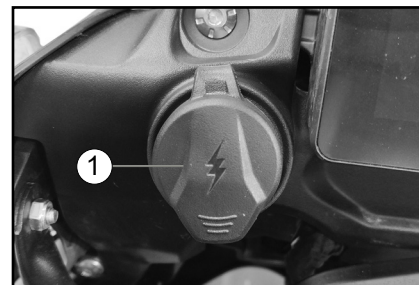
The accessory connected to the auxiliary USB jack should not be used with the engine turned off, and the load must never exceed 24 W (2A), otherwise the fuse may blow or the battery may discharge.

This vehicle is equipped with an auxiliary USB jack.

A 12-V accessory connected to the auxiliary USB jack can be used when the key is in the "O" position and should only be used when the engine is running.

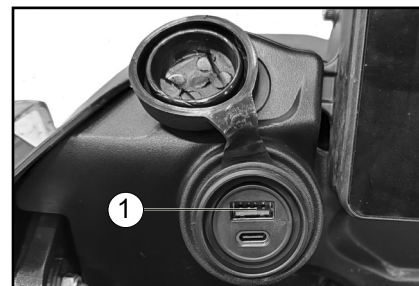
To use the auxiliary USB jack

1. Turn the key to "O".
2. Remove the auxiliary USB jack cap.



1. Auxiliary USB jack cap

3. Switch off the accessory.
4. Insert the accessory plug into the auxiliary socket (USB).



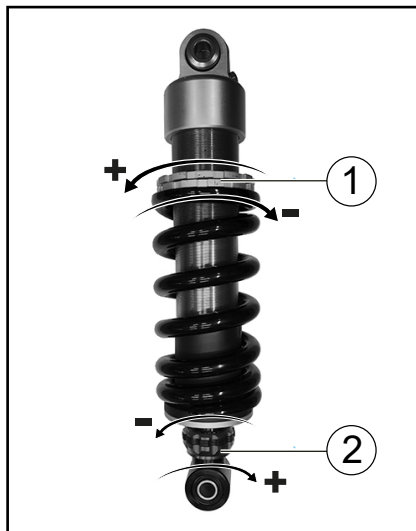
1. Auxiliary USB jack

5. Turn the key to "O", and then start the engine.
6. Switch on the accessory.

TRK702 Shock absorber setting

SHOCK ABSORBER ADJUSTMENT TRK 702

REBOUND DAMPING	
Comfort	-13 clicks from fully closed
Sport	-11 clicks from fully closed
SPRING PRELOAD	
Comfort	Ring nut 37 mm from end of stroke
Sport	Ring nut 39 mm from end of stroke



1. Spring preload
2. Rebound damping

TRK702 front fork setting

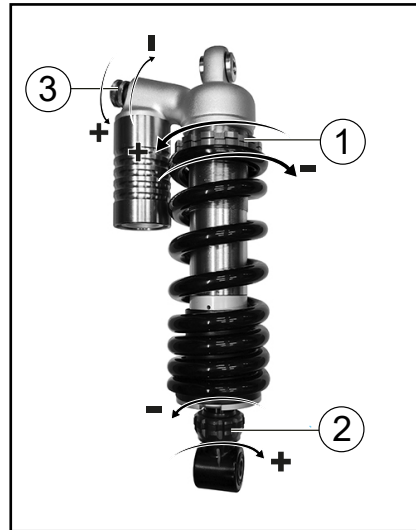
NOTICE

There's no adjustment on the standard fork.

TRK702X Shock absorber setting

SHOCK ABSORBER ADJUSTMENT TRK 702X

REBOUND DAMPING	
Comfort	-9 clicks from fully closed
Dirt Road	-7 clicks from fully closed
COMPRESSION DAMPING	
Comfort	-14 clicks from fully closed
Dirt Road	-10 clicks from fully closed
SPRING PRELOAD	
Comfort	Ring nut 8.5 mm from end of stroke
Dirt Road	Ring nut 5 mm from end of stroke



1. Spring preload
2. Rebound damping
3. Compression damping

TRK702X front fork setting

NOTICE

There's no adjustment on the standard fork.

Instrument and control functions

Sidestand

The sidestand is located on the left side of the frame. Raise the sidestand or lower it with your foot while holding the vehicle upright.

WARNING

The vehicle must not be ridden with the sidestand down, or if the sidestand cannot be properly moved up (or does not stay up), otherwise the sidestand could contact the ground and distract the operator, resulting in a possible loss of control.

Benelli's ignition circuit cut-off system has been designed to assist the operator in fulfilling the responsibility of raising the sidestand before starting off. Therefore, check this system regularly and have a Benelli dealer repair it if it does not function properly.

Ignition circuit cut-off system

The ignition circuit cut-off system (comprising the sidestand switch, clutch switch and neutral switch) has the following functions.

- It prevents starting when the transmission is in gear and the sidestand is up, but the clutch lever is not pulled.
- It prevents starting when the transmission is in gear and the clutch lever is pulled, but the sidestand is still down.
- It cuts the running engine when the transmission is in gear and the sidestand is moved down.

Periodically check the operation of the ignition circuit cut-off system according to the following procedure.



NOTE

The built-in sidestand switch is part of the ignition circuit cut-off system, which cuts the ignition in certain situations.

With the engine turned off:
 1. Move the sidestand down.
 2. Make sure that the start/engine stop switch is set to "O".
 3. Turn the key on.
 4. Shift the transmission into the neutral position.
 5. Press the electric start button.
Does the engine start?

YES

NO

With the engine still running:
 6. Move the sidestand up.
 7. Keep the clutch lever pulled.
 8. Shift the transmission into gear.
 9. Move the sidestand down.
Does the engine stall?

YES

NO

After the engine has stalled:
 10. Move the sidestand up.
 11. Keep the clutch lever pulled.
 12. Press the electric start button.
Does the engine start?

YES

NO

The system is OK. **The motorcycle can be ridden.**



WARNING

- **The vehicle must be placed on the centerstand during this inspection.**
- **If a malfunction is noted, have a Benelli dealer check the system before riding.**

The neutral switch may not be working correctly. **The motorcycle should not be ridden** until checked by a Benelli dealer.

The sidestand switch may not be working correctly. **The motorcycle should not be ridden** until checked by a Benelli dealer.

The clutch switch may not be working correctly. **The motorcycle should not be ridden** until checked by a Benelli dealer.

NOTE

.....

.....

.....

.....

.....

.....

.....

.....

.....

.....

Inspect your vehicle each time you use it to make sure the vehicle is in safe operating condition. Always follow the inspection and maintenance procedures and schedules described in the Owner's Manual.

WARNING

Failure to inspect or maintain the vehicle properly increases the possibility of an accident or equipment damage. Do not operate the vehicle if you find any problem. If a problem cannot be corrected by the procedures provided in this manual, have the vehicle inspected by a Benelli dealer.

Before using this vehicle, check the following points:

ITEM	CHECKS
Fuel	<ul style="list-style-type: none">• Check fuel level in fuel tank.• Refuel if necessary.• Check fuel line for leakage.
Engine oil	<ul style="list-style-type: none">• Check oil level in engine.• If necessary, add recommended oil to specified level.• Check vehicle for oil leakage.
Coolant	<ul style="list-style-type: none">• Check level in the coolant reservoir.• If necessary, add recommended coolant to specified level.• Check cooling system for leakage.
Front brake	<ul style="list-style-type: none">• Check operation.• If soft or spongy, have Benelli dealer bleed hydraulic system.• Check brake pads for wear.• Replace if necessary.• Check fluid level in reservoir.• If necessary, add specified brake fluid to specified level.• Check hydraulic system for leakage.

For your safety – pre-operation checks

ITEM	CHECKS
Rear brake	<ul style="list-style-type: none">• Check operation.• If soft or spongy, have Benelli dealer bleed hydraulic system.• Check brake pads for wear.• Replace if necessary.• Check fluid level in reservoir.• If necessary, add specified brake fluid to specified level.• Check hydraulic system for leakage.
Clutch	<ul style="list-style-type: none">• Check operation.• Lubricate cable if necessary.• Check lever free play.• Adjust if necessary.
Throttle grip	<ul style="list-style-type: none">• Make sure that operation is smooth.• Check throttle grip free play.• If necessary, have Benelli dealer adjust throttle grip free play and lubricate cable and grip housing.
Drive chain	<ul style="list-style-type: none">• Check chain slack.• Adjust if necessary.• Check chain condition.• Lubricate if necessary.
Wheels and tires	<ul style="list-style-type: none">• Check for damage.• Check tire condition and tread depth.• Check air pressure.• Correct if necessary.
Brake and shift pedals	<ul style="list-style-type: none">• Make sure that operation is smooth.• Lubricate pedal pivoting points if necessary.

EN

4

For your safety – pre-operation checks

ITEM	CHECKS
Brake and clutch levers	<ul style="list-style-type: none">• Make sure that operation is smooth.• Lubricate lever pivoting points if necessary.
Sidestand	<ul style="list-style-type: none">• Make sure that operation is smooth.• Lubricate pivots if necessary.
Chassis fasteners	<ul style="list-style-type: none">• Make sure that all nuts, bolts and screws are properly tightened.• Tighten if necessary.
Instruments, lights, signals and switches	<ul style="list-style-type: none">• Check operation.• Correct if necessary.
Sidestand switch	<ul style="list-style-type: none">• Check operation of ignition circuit cut-off system.• If system is not working correctly, have Benelli dealer check vehicle.

EN

4

Read the Owner's Manual carefully to become familiar with all controls. If there is a control or function you do not understand, ask your Benelli dealer.

WARNING

Failure to familiarize yourself with the controls can lead to loss of control, which could cause an accident or injury

NOTE

This model is equipped with:

- a lean angle sensor to stop the engine in case of a turnover.

Starting the engine

In order for the ignition circuit cut-off system to enable starting, one of the following conditions must be met:

- The transmission is in the neutral position.
- The transmission is in gear with the clutch lever pulled and the sidestand up.

1. Turn the key to "⊖":

The following warning lights and indicator light should come on.

- Oil level warning light
- Neutral indicator light
- The ABS warning light

The ABS warning light should come on when the key is turned to "⊖", and then go off after traveling at a speed of 5 km/h (3 mi/h) or higher.

2. Shift the transmission into the neutral position. The neutral indicator light should come on. If not, ask a Benelli dealer to check the electrical circuit.

3. Start the engine by sliding the switch toward "⊕".

If the engine fails to start, release the start/

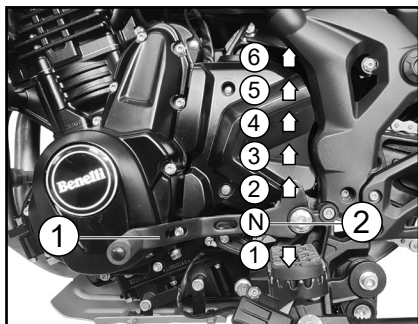
engine stop switch, wait a few seconds, and then try again. Each starting attempt should be as short as possible to preserve the battery. Do not crank the engine more than 10 seconds on any one attempt.

NOTICE

For maximum engine life, never accelerate hard when the engine is cold!

Operation and important riding points

Shifting



1. Shift pedal
2. Neutral position

Changing gear, the driver determines the ideal transmission ratio in the various driving conditions: starting off, accelerating, climbing hills, slowing down, etc. The positions of the gear selector are indicated in the illustration.

NOTE

To shift the transmission into the neutral position, press the shift pedal down repeatedly until it reaches the end of its travel, and then slightly raise it.

NOTICE

- **Even with the transmission in the neutral position, do not coast for long periods of time with the engine off, and do not tow the motorcycle for long distances. The transmission is properly lubricated only when the engine is running. Inadequate lubrication may damage the transmission.**
- **Always use the clutch while changing gears to avoid damaging the engine, transmission, and drive train, which are not designed to withstand the shock of forced shifting.**

Tips for reducing fuel consumption

Fuel consumption depends largely on your riding style. Consider the following tips to reduce fuel consumption:

- Shift up swiftly, and avoid high enginespeeds during acceleration.
- Do not rev the engine while shifting down, and avoid high engine speeds with no load on the engine.
- Turn the engine off instead of letting it idle for an extended length of time (e.g., in traffic jams, at traffic lights or at railroad crossings).

Engine break-in

There is never a more important period in the life of your engine than the period between 0 and 1600 km. For this reason, you should read the following material carefully.

Since the engine is brand new, do not put an excessive load on it for the first 1600 km. The various parts in the engine wear and polish themselves to the correct operating clearances.

During this period, prolonged full-throttle operation or any condition that might result in engine overheating must be avoided.

0–1000 km

Avoid prolonged operation above 7500 r/min.

NOTICE

After 1000 km of operation, the engine oil must be changed and the oil filter cartridge or element replaced.

1000–1600 km

Avoid prolonged operation above 8500 r/min.

1600 km and more

The vehicle can now be operated normally.

NOTICE

- **Keep the engine speed out of the tachometer high-rpm zone.**
- **If any engine trouble should occur during the engine break-in period, immediately have a Benelli dealer check the vehicle.**

Parking

When parking, stop the engine, and then remove the key from the main switch.



WARNING

- **Since the engine and exhaust system can become very hot, park in a place where pedestrians or children are not likely to touch them and be burned.**
- **Do not park on a slope or on soft ground, otherwise the vehicle may overturn, increasing the risk of a fuel leak and fire.**
- **Do not park near grass or other flammable materials which might catch fire.**

Operation and important riding points

NOTE

.....

.....

.....

.....

.....

.....

.....

.....

.....

EN

5

Periodic inspection, adjustment, and lubrication will keep your vehicle in the safest and most efficient condition possible. Safety is an obligation of the vehicle owner/ operator. The most important points of vehicle inspection, adjustment, and lubrication are explained on the following pages.

The intervals given in the periodic maintenance charts should be simply considered as a general guide under normal riding conditions.

However, depending on the weather, terrain, geographical location, and individual use, the maintenance intervals may need to be shortened.

WARNING

Failure to properly maintain the vehicle or performing maintenance activities incorrectly may increase your risk of injury or death during service or while using the vehicle. If you are not familiar with vehicle service, have a Benelli dealer perform service.

WARNING

Turn off the engine when performing maintenance unless otherwise specified.

- **A running engine has moving parts that can catch on body parts or clothing and electrical parts that can cause shocks or fires.**
- **Running the engine while servicing can lead to eye injury, burns, fire, or carbon monoxide poisoning – possibly leading to death. See page 1-2 for more information about carbon monoxide.**

Brake discs, calipers, drums, and linings can become very hot during use. To avoid possible burns, let brake components cool before touching them.

Emission controls not only function to ensure cleaner air, but are also vital to proper engine operation and maximum performance.

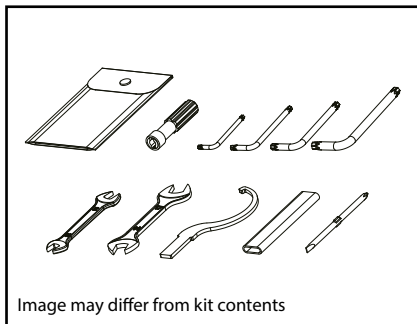
In the following periodic maintenance charts, the services related to emissions control are grouped separately.

These services require specialized data, knowledge, and equipment.

Maintenance, replacement, or repair of the emission control devices and systems may be performed by any repair establishment or individual that is certified (if applicable). Benelli dealers are trained and equipped to perform these particular services.

Periodic maintenance and adjustment

Owner's tool kit



The bike is provided with a tool bag. The owner's tool kit is located under the passenger seat. The service information included in this manual and the tools provided in the owner's tool kit are intended to assist you in the performance of preventive maintenance and minor repairs. However, additional tools such as a torque wrench may be necessary to perform certain maintenance work correctly.

NOTE

If you do not have the tools or experience required for a particular job, have a Benelli dealer perform it for you.

A list of workshops is available on our website www.benelli.com.

NOTE

- The annual checks must be performed every year, except if a kilometer-based maintenance is performed instead.
- Following the frequency indicated in the table, after the "5th" coupon, resume operations from the "2nd" coupon.
- Items marked with an asterisk should be performed by a Benelli dealer as they require special tools, data and technical skills.
- The use of non-original replacement parts may accelerate motorbike wear and tear and cut shorts its life. Failure to perform recommended operations or the use of non-original parts may render the legal warranty null and void.
- The replacement and/or topping up of lubricants and fluids, must only be carried out with the recommended products.

NOTE

AIR FILTER

The air filter needs to be replaced more often if the vehicle is used in particularly damp or dusty environments.

HYDRAULIC BRAKE MAINTENANCE

- Check brake fluid levels on a regular basis and top up as necessary.
- Every two years replace the internal components of the brake master cylinders and calipers, and change the brake fluid.
- Replace the brake hoses every four years and if cracked or damaged.

The following section shows all of the maintenance operations.

	KEY
I	Inspection and adjustment, cleaning, lubrication or replacement, as needed
T	Tighten to the torque listed
R	Replacement
☐	Dealer

Periodic maintenance and adjustment

No.	Part	Maintenance intervention or control	km x 1.000	Pre delivery	Frequency										Annual inspection
					1°	2°	3°	4°	5°						
					0	1	7	13	19	25					
			<i>mi x 1.000</i>	0	0.6	4.4	8.0	11.5	15.5						
1	Engine Oil	Refill Level/Replacement	I		R		R		R		R		R		R
		Check Level	Every 500 km												
2	Oil filter	Replacement			R		R		R		R		R		
3	Air filter	Check/Replacement						R					R		
4	Intake Oil Filter	Check/Cleaning											I		
		in case replace													
5	Fuel filter	Replacement									R				
			Every 18.000 km												
6	Throttle body	Check/Balancing/Cleaning							I						
7	Valves Clearance	Check Adjust clearance											I		
8	Timing Chain														
			Undeclared												

EN

6

Periodic maintenance and adjustment

EN
6

No.	Part	Maintenance intervention or control	Pre delivery	Frequency										Annual inspection
				1°	2°	3°	4°	5°						
				km x 1.000	0	1	7	13	19	25				
				mi x 1.000	0	0.6	4.4	8.0	11.5	15.5				
9	■ Timing Chain Sliding	Check											I	
		Replacement	Each time the timing chain tensioner is replaced											
10	■ Timing Chain Tensioner	Check											I	
		Replacement	Every 48.000 km											
11	■ Spark plug	Check/Replacement								R				
			Check the conditions, clean and restore the distance between electrodes											
12	■ Drive Chain	Check the chain tension. Check that the rear wheel is correctly aligned. Clean and lubricate.	I		I		I		I		I		I	I
			Every 500 km and after every wash or if the motorcycle has been used in the rain.											
13	■ Ring Gear	Check//Lubricate/Replace			I		I		I		I		I	I
			Replace every time the chain is replaced											
14	■ Pinion	Check//Lubricate/Replace			I		I		I		I		I	I
			Replace every time the chain is replaced											
15	■ Circuit Fuel Pipes	Check that the fuel pipes are not are cracked or damaged			I		I		I		I		I	I
		If necessary, replace	In any case, replace every 4 years											
16	■ Brake fluid	Check/Reset Level/	I		I		I		I		I		I	I
		Replacement	In any case, replace every 2 years											

No.	Part	Maintenance intervention or control	Pre delivery	Frequency										Annual inspection
				1°	2°	3°	4°	5°						
				km x 1.000	mi x 1.000	0	0.6	4.4	8.0	11.5	15.5			
17	■ Front and Rear Brakes	Check the tightening of the brake calipers. If necessary, replace the pads. Check for leaks	I	I	I	I	I	I	I	I	I	I	I	
			Replace the hoses every 4 years											
19	■ Brake pads	Check/Replacement	I	I	I	I	I	I	I	I	I	I	I	
			Replace if worn to the limit											
20	■ Swingarm Chain Slider	Check/Replacement	I	I	I	I	I	I	I	I	I	I	I	
			Replace if worn to the limit											
21	■ Clutch control	Check Function/ Adjust	I	I	I	I	I	I	I	I	I	I	I	
22	■ Engine cover screws	Check/Tightening	I	T	T	T	T	T	T	T	T	T	T	
23	■ Evaporative emissions control system (Canister)	Check defects and leaks	I	I	I	I	I	I	I	I	I	I	I	
			No maintenance required. In case of malfunction replace.											
24	■ Throttle Grip and cable	Check function, if necessary, adjust the throttle cable play.	I	I	I	I	I	I	I	I	I	I	I	

Periodic maintenance and adjustment

EN

6

No.	Part	Maintenance intervention or control	Pre delivery	Frequency										Annual inspection
				1°	2°	3°	4°	5°						
				km x 1.000	mi x 1.000	0	0.6	4.4	8.0	11.5	15.5	25		
25	Steering Ring Nut	Check/Adjust												
			If necessary, adjust											
26	Steering bearings	Check the bearing is not loose or damaged												
			Lubricate, if necessary replace											
27	Wheel bearings front / back	Check the bearing is not loose or damaged												
			Lubricate, if necessary replace											
28	Bearings and Pivot Guide Swingarm	Check the bearing is not loose or damaged												
			Lubricate, if necessary replace											
29	Swingarm	Check operation, the tightening of the pin and make sure he doesn't have a excessive play. Lubricate.												
30	Front Fork	Check function and make sure there are no leaks												
31	Rear Suspension	Check function and make sure there are no leaks												
32	Wheels	Make sure they are not off centre or damaged.												
			If necessary, replace											

No.	Part	Maintenance intervention or control	Pre delivery	Frequency										Annual inspection
				1°	2°	3°	4°	5°						
				km x 1.000	0	1	7	13	19	25				
				mi x 1.000	0	0.6	4.4	8.0	11.5	15.5				
33	■ Tyres	Check depth, and make sure they are not damaged. Check the tire pressure, correct if necessary. Replace if necessary.												
		Replace if worn to the limit												
34	■ Side stand	Check/Functionality												
		Lubricate, tighten if necessary												
35	■ Central stand	Check/Functionality												
		For equipped versions												
		Lubricate, tighten if necessary												
36	■ Switch Side stand	Check/Functionality												
37	■ Rear sprocket spring Drive Rubber	Check/Functionality												
		Replace if worn												
38	■ Instruments, lights, signals and switches	Check/Functionality												
39	■ Head light	Check/Functionality												
		Adjustment												
		At every change in vehicle set-up												
40	■ Horn	Check Operation												
41	■ Battery	Check/Functionality/Recharge												
		If necessary, replace												

Periodic maintenance and adjustment

EN

6

No.	Part	Maintenance intervention or control	Pre delivery	Frequency										Annual inspection
				1°	2°	3°	4°	5°						
				km x 1.000	mi x 1.000	0	0.6	4.4	8.0	11.5	15.5			
42	■ Electric System	Check Function, rubbing, play and freedom of movement.	I	I	I	I	I	I	I	I	I	I	I	
43	■ Starter Switch	Check/Functionality	I	I	I	I	I	I	I	I	I	I	I	
44	■ Fuel injection	Reading of ECU / Parameters fault memory	I	I	I	I	I	I	I	I	I	I	I	
45	■ Fastening body parts	Check that all nuts, bolts and screws are tightened	T	T	T	T	T	T	T	T	T	T	T	
46	■ Parts and cables subject to movement	Check/Replace	I	I	I	I	I	I	I	I	I	I	I	
		Replace if damaged												
47	■ Cooling Fluid	Check/Refill Level	I	I	I	I	I	I	R	I	I	I	I	
		Replace												
		Every 3 years or Mileage achievement												
48	■ Cooling system	Check the liquid coolant level and check that there are no fluid leaks from the circuit.	I	I	I	I	I	I	I	I	I	I	I	
49	■ Electric fans	Check/Functionality	I	I	I	I	I	I	I	I	I	I	I	
50	■ Front / Rear wheel spokes	Tightening and alignment control for the equipped versions	I	I	I	I	I	I	I	I	I	I	I	

Checking the spark plugs

The spark plugs are important engine components, which should be checked periodically, preferably by a Benelli dealer. Since heat and deposits will cause any spark plug to slowly erode, they should be removed and checked in accordance with the periodic maintenance and lubrication chart. In addition, the condition of the spark plugs can reveal the condition of the engine.

The porcelain insulator around the center electrode of each spark plug should be a medium-to-light tan (the ideal color when the vehicle is ridden normally), and all spark plugs installed in the engine should have the same color.

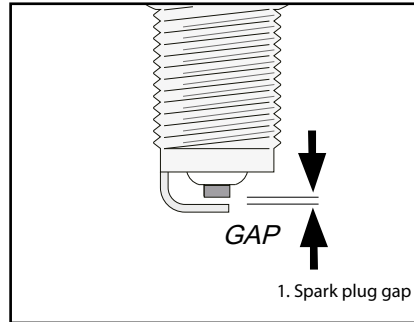
If any spark plug shows a distinctly different color, the engine could be operating improperly.

Do not attempt to diagnose such problems yourself. Instead, have a Benelli dealer check the vehicle.

If a spark plug shows signs of electrode erosion and excessive carbon or other deposits, it should be replaced.

Specified spark plug:
NGK CR8EGP

Before installing a spark plug, the spark plug gap should be measured with a wire thickness gauge and, if necessary, adjusted to specification.



Spark plug gap:
0.7–0.8 mm

Clean the surface of the spark plug gasket and its mating surface, and then wipe off any grime from the spark plug threads.

Tightening torque:
12 N·m

Periodic maintenance and adjustment

Canister

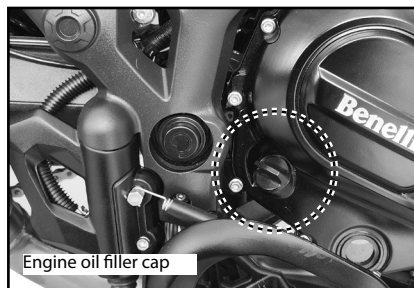


This model is equipped with a canister to prevent the discharging of fuel vapor into the atmosphere. Before operating this vehicle, make sure to check the following:

- Check each hose connection.
- Check each hose and canister for cracks or damage. Replace if damaged.

Engine oil and oil filter cartridge

The engine oil level should be checked before each ride. In addition, the oil must be changed at the intervals specified in the periodic maintenance and lubrication chart.



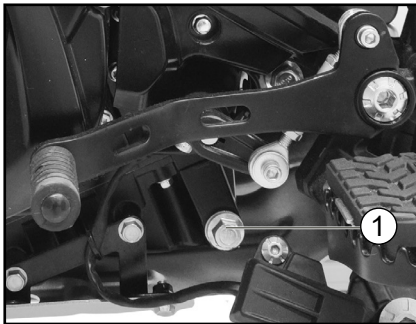
To check the engine oil level

- Carry out checking when the engine is warm. Should the engine be cold, start the motorcycle to bring the engine temperature to its operating value.
- Turn off the engine.
- Place the motorcycle on a flat surface and wait 5 minutes.
- Keeping the motorcycle in horizontal position and with both wheels on the ground (no central stand), check the level through the circular sight glass of the engine.
- If such level is within references, it is correct; if it is below the lower reference, top up to restore the correct level.



To change the engine oil (with or without oil filter cartridge replacement)

1. Place the vehicle on a flat surface and keep it upright.
2. Start the engine, warm it up for several minutes, and then turn it off.
3. Place a suitable container under the engine to collect the used oil.
4. Remove the engine oil filler cap, the engine oil drain bolt and its gasket to drain the oil from the crankcase.

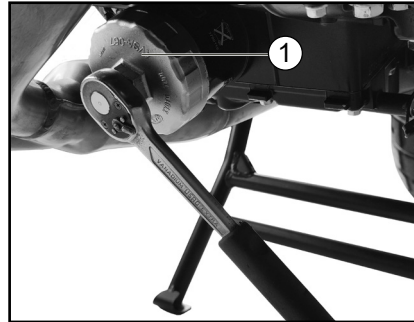


1. Engine oil drain bolt

NOTE

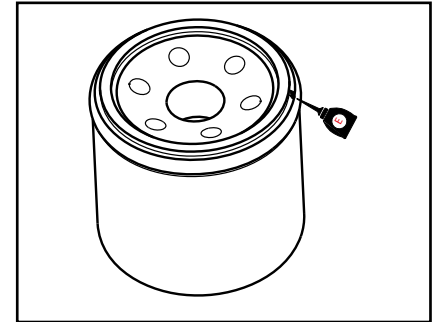
Skip steps 5–7 if the oil filter cartridge is not being replaced.

5. Remove the oil filter cartridge with an oil filter wrench.



1. Oil filter cartridge

6. Apply a thin coat of clean engine oil to the O-ring of the new oil filter cartridge.



NOTE

Make sure that the O-ring is properly seated.

7. Install the new oil filter cartridge with an oil filter wrench, and then tighten it to the specified torque with a torque wrench.

Tightening torque:

Oil filter cartridge:
15 N·m

8. Install the engine oil drain bolt and its new gasket, and then tighten the bolt to the specified torque.

Periodic maintenance and adjustment

Tightening torque:

Engine oil drain bolt:
24 N·m

9. Refill with the specified amount of the recommended engine oil, and then install and tighten the oil filler cap.

Recommended Engine oil:

API SN - SAE

SAE viscosity grades:

10W50

API classification:

SN

Oil quantity:

2,4 +/- 0,1 L

(with oil filter replacing)

2,2 +/- 0,1 L

(without oil filter replacing)

NOTICE

- In order to prevent clutch slippage (since the engine oil also lubricates the clutch), do not mix any chemical additives. Do not use oils with a diesel specification of "CD" or oils of a higher quality than specified. In addition, do not use oils labeled "ENERGY CONSERVING II" or higher.
- Make sure that no foreign material enters the crankcase.

10. Start the engine, and then let it idle for several minutes while checking it for oil leakage. If oil is leaking, immediately turn the engine off and check for the cause.

NOTE

After the engine is started, the engine oil level warning light should go off if the oil level is sufficient.

NOTICE

If the oil level warning light flashes or stays on even if the oil level is appropriate, immediately run the engine and have the vehicle checked by a Benelli dealer.

11. Turn the engine off, wait a few minutes until the oil settles, and then check the oil level and correct it if necessary.

NOTE

Be sure to wipe off spilled oil on any parts after the engine and exhaust system have cooled down.

Coolant

The coolant level should be checked before each ride. In addition, the coolant must be changed at the intervals specified in the periodic maintenance and lubrication chart.

To check the coolant level

1. Place the vehicle on a flat surface and keep it upright.

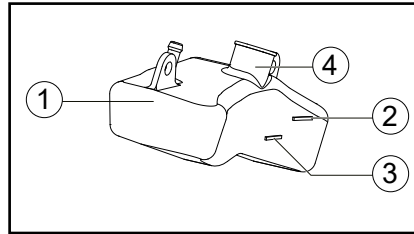
NOTE

- The coolant level must be checked on a cold engine since the level varies with engine temperature.
- Make sure that the vehicle is positioned straight up when checking the coolant level. A slight tilt to the side can result in a false reading.

2. Check the coolant level in the coolant reservoir.

NOTE

The coolant should be between the minimum and maximum level marks.



1. Coolant reservoir
2. Maximum level mark
3. Minimum level mark
4. Coolant reservoir cap

3. If the coolant is at or below the minimum level mark, remove the coolant reservoir cap.

WARNING

Remove only the coolant reservoir cap. Never attempt to remove the radiator cap when the engine is hot.

4. Add coolant or distilled water to raise the coolant to the maximum level mark, install the coolant reservoir cap.

NOTICE

If coolant is not available, use distilled water or soft tap water instead. Do not use hard water or salt water since it is harmful to the engine. If water has been used instead of coolant, replace it with coolant as soon as possible, otherwise the cooling system will not be protected against frost and corrosion. If water has been added to the coolant, have a Benelli dealer check the antifreeze content of the coolant as soon as possible, otherwise the effectiveness of the coolant will be reduced.

Periodic maintenance and adjustment

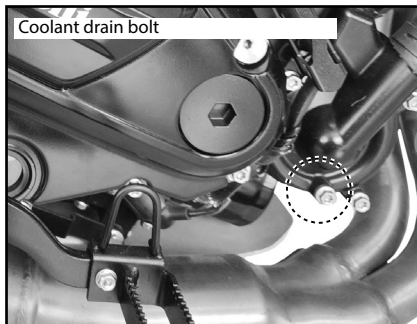
To change the coolant

1. Place the vehicle on a flat surface and keep it upright.
2. Place a container under the engine to collect the used coolant.
3. Remove the radiator cap.



Never attempt to remove the radiator cap when the engine is hot.

4. Remove the coolant drain bolt and its gasket to drain the cooling system.



5. After the coolant is completely drained, thoroughly flush the cooling system with clean tap water.
6. Install the coolant drain bolt and its new gasket, and then tighten the bolt to the specified torque.

Tightening torque:

Coolant drain bolt:
11 N·m

7. Pour the specified amount of the recommended coolant into the radiator and reservoir.

Antifreeze/water mixture ratio:

1:1

Recommended antifreeze:

High-quality ethylene glycol antifreeze containing corrosion inhibitors for aluminum engines

Quantity of coolant:

Cooling system capacity:

2,0 +/- 0,1 L

8. Install the coolant reservoir cap.
9. Install the radiator cap.
10. Start the engine, let it idle for several minutes, and then turn it off.
11. Remove the radiator cap to check the coolant level in the radiator.

If necessary, add sufficient coolant until it reaches the top of the radiator, and then install the radiator cap.

12. Check the coolant level in the reservoir.

If necessary, remove the coolant reservoir cap, add coolant to the maximum level mark, and then install the cap.

13. Start the engine, and then check the vehicle for coolant leakage.

If coolant is leaking, have a Benelli dealer check the cooling system.

Air filter element

The air filter element must be replaced at the intervals specified in the periodic maintenance and lubrication chart. Have a Benelli dealer replace the air filter element.

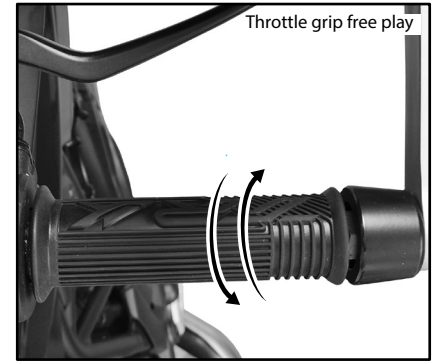
Checking the engine idling speed

Check the engine idling speed and, if necessary, have it corrected by a Benelli dealer.

Engine idling speed:
1500-1600 r/min.

Checking the throttle grip free play

Measure the throttle grip free play as shown.



Throttle grip free play:
3.0 - 5.0 mm

Periodically check the throttle grip free play and, if necessary, have a Benelli dealer adjust it.

Periodic maintenance and adjustment

Valve clearance

The valve clearance changes with use, resulting in improper air-fuel mixture and/or engine noise. To prevent this from occurring, the valve clearance must be adjusted by a Benelli dealer at the intervals specified in the periodic maintenance and lubrication chart.

Tires

Tires are the only contact between the vehicle and the road. Safety in all conditions of riding depends on a relatively small area of road contact. Therefore, it is essential to maintain the tires in good condition at all times and replace them at the appropriate time with the specified tires.

Tire air pressure

The tire air pressure should be checked and, if necessary, adjusted before each ride.

Tire air pressure (measured on cold tires):

Front

(rider only and full load):

220 ± 10 kPa

Rear

(pilot only):

250 ± 10 kPa

*Maximum load:

202 Kg (TRK702)

197 Kg (TRK702X)

*Total weight of rider, passenger, cargo and accessories



WARNING

Operation of this vehicle with improper tire pressure may cause severe injury or death from loss of control.

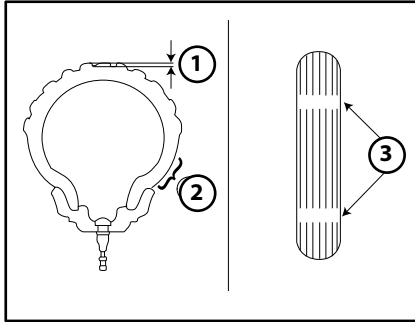
- The tire air pressure must be checked and adjusted on cold tires (i.e., when the temperature of the tires equals the ambient temperature).
- The tire air pressure must be adjusted in accordance with the riding speed and with the total weight of rider, passenger, cargo, and accessories approved for this model.



WARNING

Never overload your vehicle. Operation of an overloaded vehicle could cause an accident

Tire inspection



1. Tire tread depth
2. Side well
3. Wear warning

The tires must be checked before each ride. If the tread depth reaches the specified limit, if the tire has a nail or glass fragments in it, or if the sidewall is cracked, have a Benellidealer replace the tire immediately.

Minimum tire tread depth (front and rear):

1.6 mm

NOTE

The tire tread depth limits may differ from country to country. Always comply with the local regulations.

WARNING

- Have a Benelli dealer replace excessively worn tires. Besides being illegal, operating the vehicle with excessively worn tires decreases riding stability and can lead to loss of control.
- The replacement of all wheel and brake related parts, including the tires, should be left to a Benelli dealer, who has the necessary professional knowledge and experience to do so.
- Ride at moderate speeds after changing a tire since the tire surface must first be "broken in" for it to develop its optimal characteristics.

Tires age, even if they have not been used or have only been used occasionally. Cracking of the tread and sidewall rubber, sometimes accompanied by carcass deformation, is an evidence of ageing. Old

and aged tires shall be checked by tire specialists to ascertain their suitability for further use.

WARNING

- The front and rear tires should be of the same make and design, otherwise the handling characteristics of the motorcycle may be different, which could lead to an accident.
- Always make sure that the valve caps are securely installed to prevent air pressure leakage.

Front tire:

Size:
120/70 - ZR17 58W

TRAIL Size:

110/80- R19 59V

Periodic maintenance and adjustment

Rear tire:
Size:
160/60 - ZR17 69W

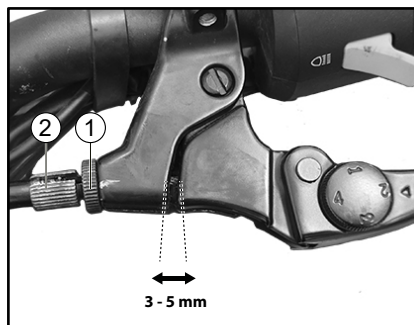
TRAIL Size:
150/70 - R17 - 69V

WARNING

- Use only the specified replacement tires.
- Brand-new tires can have a relatively poor grip on certain road surfaces until they have been "broken in". Therefore, it is advisable before doing any high-speed riding to ride conservatively for approximately 100 km after installing a new tire.
- The tires must be warmed up before a high-speed run.
- Always adjust the tire air pressure according to the operating conditions.

Adjusting the clutch lever free play

Measure the clutch lever free play as shown.



1. Clutch ring nut
2. Clutch screw

Check the clutch lever backlash regularly and adjust as necessary.

- 1) Loosen the clutch ring nut and the clutch screw on the cable, at the same time.
- 2) To increase clutch lever backlash, turn the clutch screw clockwise (seen from sitting on the bike).
To reduce the clutch lever backlash, turn the clutch screw anticlockwise (seen from sitting on the bike).
- 3) After adjusting, tighten the clutch ring nut.

NOTE

If the specified free play cannot be obtained as described above or if the clutch does not operate correctly, have a Benelli dealer check the internal clutch mechanism.

Checking the brake lever free play

There should be no free play at the brake lever end. If there is free play, have a Benelli dealer inspect the brake system.



WARNING

A soft or spongy feeling in the brake lever can indicate the presence of air in the hydraulic system. If there is air in the hydraulic system, have a Benelli dealer bleed the system before operating the vehicle. Air in the hydraulic system will diminish the braking performance, which may result in loss of control and an accident.

Brake light switches

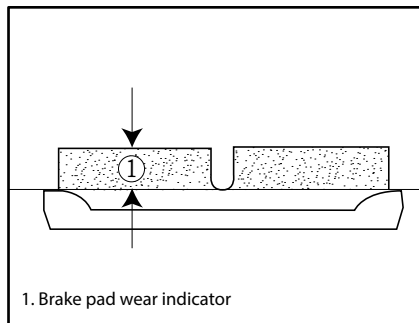
The brake light, which is activated by the brake pedal and brake lever, come on just before braking takes effect. If necessary, have a Benelli dealer adjust the brake light switches.

Periodic maintenance and adjustment

Checking the front and rear brake pads

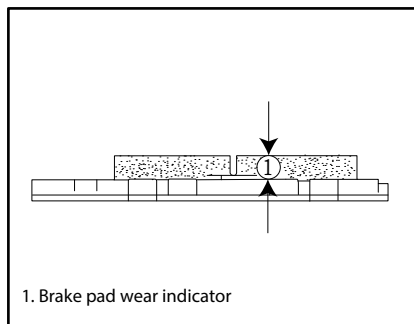
The front and rear brake pads must be checked for wear at the intervals specified in the periodic maintenance and lubrication chart.

Front brake pads



Each front brake pad is provided with wear indicators, which allows you to check the brake pad wear without having to disassemble the brake. To check the brake pad wear, check the position of the wear indicators while applying the brake. If a brake pad has worn to the point that a wear indicator almost touches the brake disc, have a Benelli dealer replace the brake pads as a set.

Rear brake pads



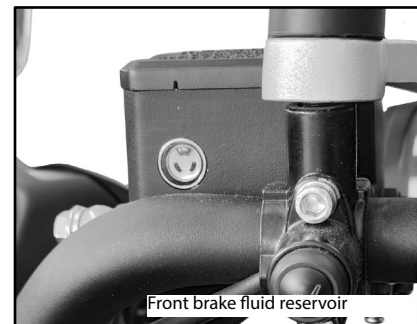
Each rear brake pad is provided with wear indicator grooves, which allow you to check the brake pad wear without having to disassemble the brake.

To check the brake pad wear, check the wear indicator grooves. If a brake pad has worn to the point that a wear indicator groove almost appears, have a Benelli dealer replace the brake pads as a set.

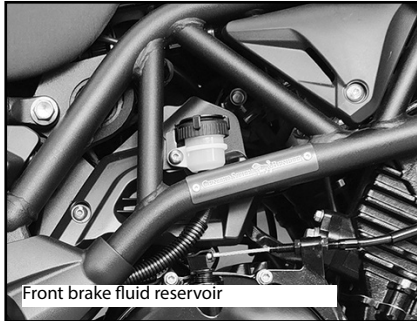
Checking the brake fluid level

Before riding, check that the brake fluid is above the minimum level mark. Check the brake fluid level with the top of the reservoir level. Replenish the brake fluid if necessary.

Front brake



Rear brake



Specified brake fluid:
DOT 4

WARNING

Improper maintenance can result in loss of braking ability.

Observe these precautions:

- **Insufficient brake fluid may allow air to enter the brake system, reducing braking performance.**
- **Clean the filler cap before removing. Use only DOT 4 brake fluid from a sealed container.**

- **Use only the specified brake fluid; otherwise, the rubber seals may deteriorate, causing leakage.**
- **Refill with the same type of brake fluid. Adding a brake fluid other than DOT 4 may result in a harmful chemical reaction.**
- **Be careful that water or dust does not enter the brake fluid reservoir when refilling. Water will significantly lower the boiling point of the fluid and may result in vapor lock, and dirt may clog the ABS hydraulic unit valves.**

NOTICE

Brake fluid may damage painted surfaces or plastic parts. Always clean up spilled fluid immediately.

As the brake pads wear, it is normal for the brake fluid level to gradually go down. A low brake fluid level may indicate worn brake pads and/or brake system leakage; therefore, be sure to check the brake pads for wear and the brake system for leakage. If the brake fluid level goes down suddenly, have a Benelli dealer check the cause before further riding.

Changing the brake fluid

Have a Benelli dealer change the brake fluid at the intervals specified in the periodic maintenance and lubrication chart.

Periodic maintenance and adjustment

Drive chain slack

The drive chain slack should be checked before each ride and adjusted if necessary.

To check the drive chain slack

1. After stopping the engine, place the vehicle on a rear stand on a horizontal surface and with the gear in neutral.
2. Measure the drive chain slack as shown.



Drive chain slack:

28 - 35 mm

3. After running the rear wheel forward occur else where in the free play chain: it must be constant.
4. If the drive chain slack is incorrect, adjust it as follows.

NOTICE

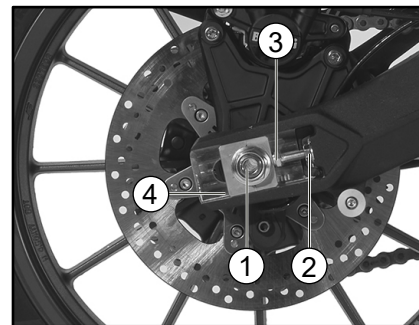
Using the motorcycle with the chain in bad condition and badly adjusted may cause accidents.

If you notice any operating anomaly on the chain, such as excessive or suspicious noises, or excessive slack, go to an authorised Benelli workshop.

If you suspect that there is a serious malfunction with the chain, stop the bike immediately and call your nearest Benelli authorised workshop.

To adjust the drive chain slack

1. Loosen the wheel pin nut and lock nut on each side of the swingarm.
2. To tension the transmission chain, turn the tension adjustment bolt on each side of the swingarm (clockwise).
3. To loosen the transmission chain, turn the tension adjustment bolt on each side of the swingarm (anticlockwise) and push the rear wheel forwards.



1. Axle nut
2. Locknut
3. Drive chain slack adjusting bolt
4. Distance

NOTICE

Incorrect transmission chain tension will overload the engine and other vital parts of the motorcycle, and it may cause the chain to slip or break. To stop this from happening, keep the transmission chain tension within the specified limits. Make sure that the distance between the adjusters is equal on the left and right sides of the swingarm.

4. Tighten the wheel pin nut, keeping the slides on the adjustment devices and lock nuts.

Tightening torques:

Axle nut:
100 N · m

Cleaning and lubricating the drive chain

The drive chain must be cleaned and lubricated at the intervals specified in the periodic maintenance and lubrication chart, otherwise it will quickly wear out, especially when riding in dusty or wet areas. Service the drive chain as follows.

NOTICE

The drive chain must be lubricated after washing the motorcycle, riding in the rain or riding in wet areas.

1. Clean the drive chain with specific and suitable products.

NOTICE

To prevent damaging the O-rings, do not clean the drive chain with steam cleaners, high-pressure washers or inappropriate solvents.

2. Wipe the drive chain dry.
3. Thoroughly lubricate the drive chain with a special O-ring chain lubricant.

NOTICE

Do not use engine oil or any other lubricants for the drive chain, as they may contain substances that could damage the O-rings.

Periodic maintenance and adjustment

Checking and lubricating the cables

The operation of all control cables and the condition of the cables should be checked before each ride, and the cables and cable ends should be lubricated if necessary.

If a cable is damaged or does not move smoothly, have a Benelli dealer check or replace it.



WARNING

Damage to the outer housing of cables may result in internal oxidation and cause interference with cable movement.

Replace damaged cables as soon as possible to prevent unsafe conditions.

Checking and lubricating the throttle grip and cable

The operation of the throttle grip should be checked before each ride. In addition, the cables should be lubricated by a Benelli dealer at the intervals specified in the periodic maintenance chart.

The throttle cables is equipped with a rubber cover. Make sure that the cover is securely installed. Even though the cover is installed correctly, it does not completely protect the cable from water entry.

Therefore, use care not to pour water directly onto the cover or cable when washing the vehicle. If the cables or cover becomes dirty, wipe clean with a moist cloth.

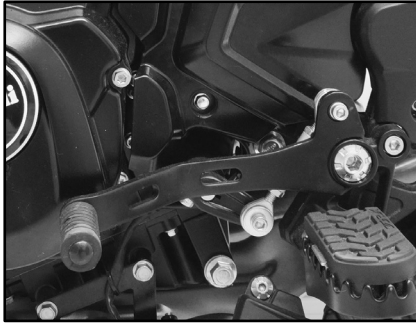
Checking and lubricating the brake and shift pedals

The operation of the brake and shift pedals should be checked before each ride, and the pedal pivots should be lubricated if necessary.

Brake pedal



Shift pedal



Recommended lubricant:
Lithium-soap-based grease

Checking and lubricating the brake and clutch levers

The operation of the brake and clutch levers should be checked before each ride, and the lever pivots should be lubricated if necessary.

Brake lever / Clutch lever

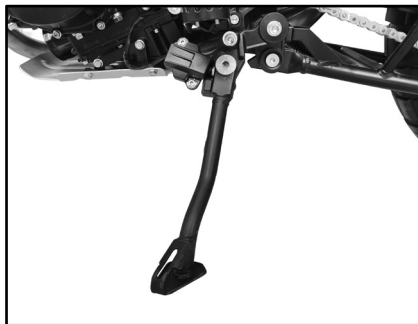
Recommended lubricant:

Brake lever:
Silicone grease
Clutch lever:
Silicone grease

Periodic maintenance and adjustment

Checking and lubricating the side-stand

The operation of the sidestand should be checked before each ride, and the pivots and metal-to-metal contact surfaces should be lubricated if necessary.



TIP

The switch built into the side stand is part of the ignition circuit cut-out system that cuts out the ignition in certain situations.



WARNING

Do not use the vehicle with the side stand lowered, or if it cannot be lifted correctly (or if it will not stay up), otherwise the side stand might not touch ground and distract the rider with the resulting possibility of losing control of the bike.

The cut-out ignition circuit has been designed to ensure the rider raises the side stand before putting the motorcycle in movement.

Checking the front fork

The condition and operation of the front fork must be checked as follows at the intervals specified in the periodic maintenance and lubrication chart.

To check the condition

Check the inner tubes for scratches, damage and excessive oil leakage.

To check the operation

1. Place the vehicle on a flat surface and keep it upright.



WARNING

To avoid injury, securely support the vehicle so there is no danger of it falling over.

2. While applying the front brake, push down hard on the handlebars several times to check if the front fork compresses and rebounds smoothly.

NOTICE

If any damage is found or the front fork does not operate smoothly, have a Benelli dealer check or repair it.

Checking the steering

Worn or loose steering bearings may cause danger. Therefore, the operation of the steering must be checked as follows at the intervals specified in the periodic maintenance and lubrication chart.

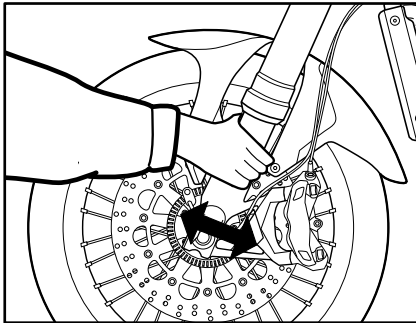
1. Place the vehicle on a flat surface and keep it upright.

2. Hold the lower ends of the front fork legs and try to move them forward and backward. If any free play can be felt, have a Benelli dealer check or repair the steering.



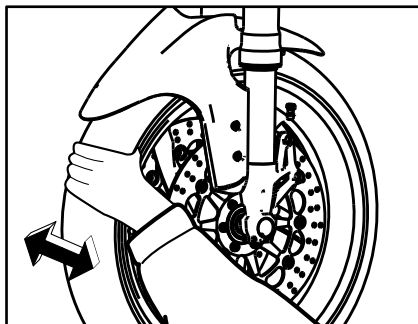
WARNING

To avoid injury, securely support the vehicle so there is no danger of it falling over.



Periodic maintenance and adjustment

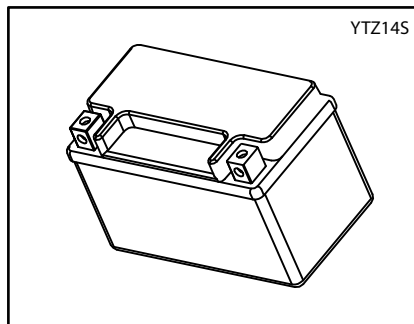
Checking the wheel bearings



The front and rear wheel bearings must be checked at the intervals specified in the periodic maintenance and lubrication chart. If there is play in the wheel hub or if the wheel does not turn smoothly, have a Benelli dealer check the wheel bearings.

Battery

The battery is located under the seat.



This model is equipped with a VRLA (Valve Regulated Lead Acid) battery. There is no need to check the electrolyte or to add distilled water. However, the battery lead connections need to be checked and, if necessary, tightened.

WARNING

- **Electrolyte is poisonous and dangerous since it contains sulfuric acid, which causes severe burns. Avoid any contact with skin, eyes or clothing and always shield your eyes when working near batteries. In case of contact, administer the following FIRST AID.**
 - **EXTERNAL:** Flush with plenty of water.
 - **INTERNAL:** Call a doctor immediately.
 - **EYES:** Flush with water for 15 minutes and call a doctor immediately.
- **Batteries produce explosive hydrogen gas. Therefore, keep sparks, flames, cigarettes, etc., away from the battery and provide sufficient ventilation when charging it in an enclosed space.**
- **KEEP THIS AND ALL BATTERIES OUT OF THE REACH OF CHILDREN.**

To charge the battery

Have a Benelli dealer charge the battery as soon as possible if it seems to have discharged. Keep in mind that the battery tends to discharge more quickly if the vehicle is equipped with optional electrical accessories.

NOTICE

To charge a VRLA (Valve Regulated Lead Acid) battery, a special (constant-voltage) battery charger is required. Using a conventional battery charger will damage the battery.

To store the battery

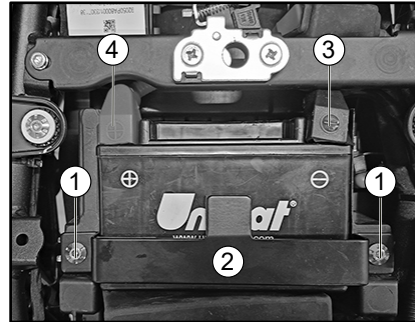
1. If the vehicle will not be used for more than one month, remove the battery, fully charge it, and then place it in a cool, dry place.

Removal of battery

1. To take off the battery, loosen the screws (1) and remove the battery locking bracket.

NOTICE

When removing the battery, make sure the key is turned to "OFF", then disconnect the negative lead before disconnecting the positive lead.



1. Screws
2. Battery bracket
3. Negative lead
4. Positive lead

2. If the battery will be stored for more than two months, check it at least once a month and fully charge it if necessary.
3. Fully charge the battery before installation.

NOTICE

When installing the battery, be sure the key is turned to "OFF", then connect the positive lead before connecting the negative lead.

4. After installation, make sure that the battery leads are properly connected to the battery terminals.

NOTICE

Always keep the battery charged. Storing a discharged battery can cause permanent battery damage.

Periodic maintenance and adjustment

Replacing the fuses

The fuse boxes and individual fuses are located under the passenger seat. To access fuse box and the main fuse remove the passenger seat.

If a fuse is blown, replace it as follows.

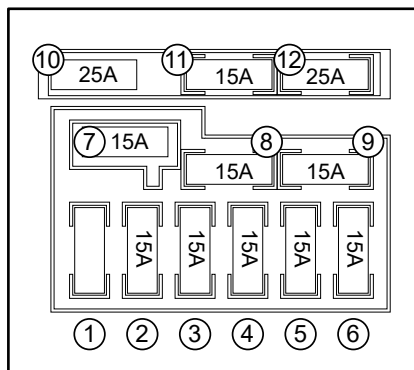
1. Turn the key to "⊗" and turn off the electrical circuit in question.
2. Remove the blown fuse, and then install a new fuse of the specified amperage.



WARNING

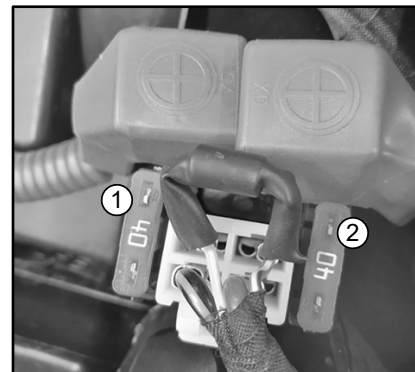
Do not use a fuse of a higher amperage rating than recommended to avoid causing extensive damage to the electrical system and possibly a fire.

3. Turn the key to "⊙" and turn on the electrical circuit in question to check if the device operates.
4. If the fuse immediately blows again, have a Benelli dealer check the electrical system.



1. (empty)
2. Power lock
3. ECU
4. Light
5. Fan
6. Fuel pump
7. Spare
8. Spare
9. Spare
10. Spare
11. ABS 1
12. ABS 2

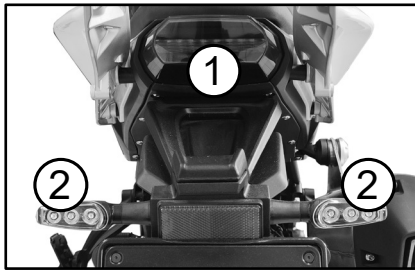
Starter relé



13. Main fuse
14. Spare

Brake/tail light and the turn signal light

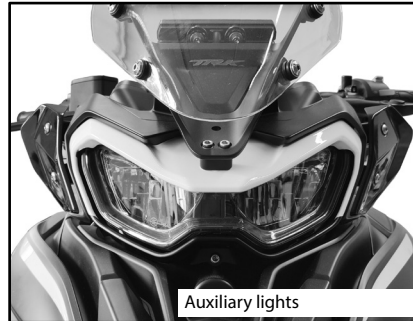
This model is equipped with LED-type headlights and LED-type turn signal light. If a headlight and turn signal light does not come on, check the fuses and then have a Benelli dealer check the vehicle.



1. Brake/tail light
2. Turn signal light

Auxiliary lights

This model is equipped with LED-type auxiliary lights. If an auxiliary light does not come on, have a Benelli dealer check the vehicle.



Troubleshooting

Although Benelli motorcycles receive a thorough inspection before shipment from the factory, trouble may occur during operation.

Any problem in the fuel, compression, or ignition systems, for example, can cause poor starting and loss of power.

The following troubleshooting charts represent quick and easy procedures for checking these vital systems yourself.

However, should your motorcycle require any repair, take it to a Benelli dealer, whose skilled technicians have the necessary tools, experience, and know-how to service the motorcycle properly. Use only genuine Benelli replacement parts.

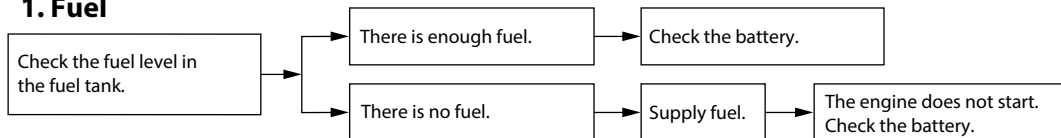
Imitation parts may look like Benelli parts, but they are often inferior, have a shorter service life and can lead to expensive repair bills.

Periodic maintenance and adjustment

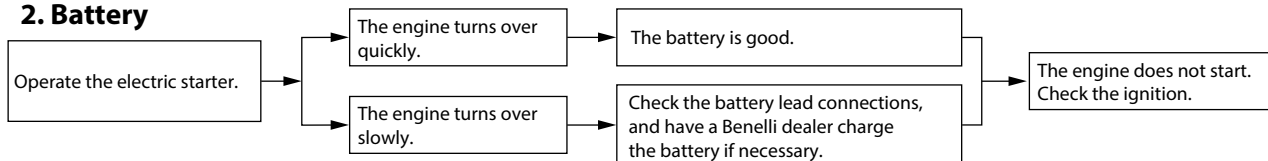
Troubleshooting charts

Starting problems or poor engine performance

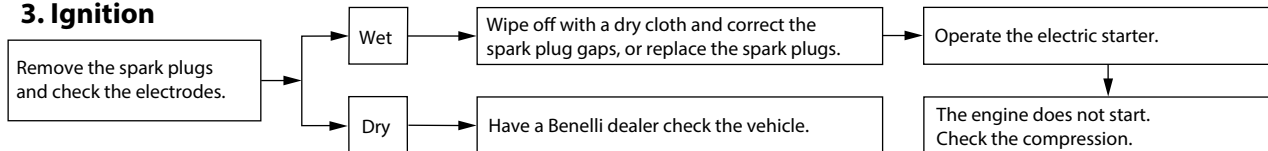
1. Fuel



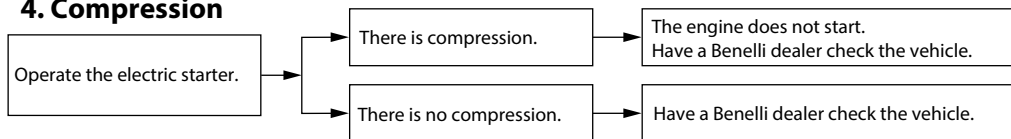
2. Battery



3. Ignition



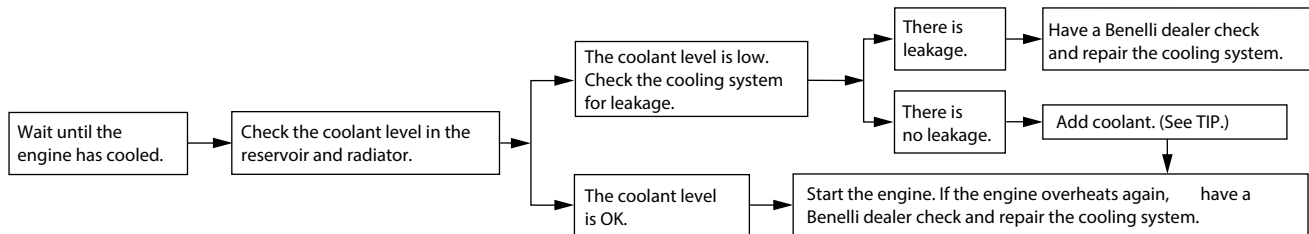
4. Compression



Engine overheating

WARNING

- **Do not remove the radiator cap when the engine and radiator are hot. Scalding hot fluid and steam may be blown out under pressure, which could cause serious injury. Be sure to wait until the engine has cooled.**
- **Place a thick rag, like a towel, over the radiator cap, and then slowly rotate the cap counterclockwise to the detent to allow any residual pressure to escape.**
- **When the hissing sound has stopped, press down on the cap while turning it counterclockwise, and then remove the cap.**



TIP

If coolant is not available, tap water can be temporarily used instead, provided that it is changed to the recommended coolant as soon as possible.

NOTE

EN

6

.....

.....

.....

.....

.....

.....

.....

.....

.....

Matte color caution

NOTICE

Some models are equipped with matte colored finished parts. Be sure to consult a Benelli dealer for advice on what products to use before cleaning the vehicle.

Using a brush, harsh chemical products or cleaning compounds when cleaning these parts will scratch or damage their surface. Wax also should not be applied to any matte colored finished parts.

Care

While the open design of a motorcycle reveals the attractiveness of the technology, it also makes it more vulnerable.

Rust and corrosion can develop even if high-quality components are used.

A rusty exhaust pipe may go unnoticed on a car, however, it detracts from the overall appearance of a motorcycle.

Frequent and proper care does not only comply with the terms of the warranty, but it will also keep your motorcycle looking good, extend its life and optimize its performance.

Before cleaning

1. Cover the muffler outlet with a plastic bag after the engine has cooled down.
2. Make sure that all caps and covers as well as all electrical couplers and connectors, including the spark plug caps, are tightly installed.
3. Remove extremely stubborn dirt, like oil burnt onto the crankcase, with a degreasing agent and a brush, but never apply such products onto seals, gaskets, sprockets, the drive chain and wheel axles. Always rinse the dirt and degreaser off with water.

Cleaning

NOTICE

- **Avoid using strong acidic wheel cleaners, especially on spoked wheels. If such products are used on hard-to-remove dirt, do not leave the cleaner on the affected area any longer than instructed. Also, thoroughly rinse the area off with water, immediately dry it, and then apply a corrosion protection spray.**
- **Improper cleaning can damage plastic parts (such as cowlings, panels, windshields, headlight**

lenses, meter lenses, etc.) and the mufflers. Use only a soft, clean cloth or sponge with water to clean plastic. However, if the plastic parts cannot be thoroughly cleaned with water, diluted mild detergent with water may be used. Be sure to rinse off any detergent residue using plenty of water, as it is harmful to plastic parts.

- **Do not use any harsh chemical products on plastic parts. Be sure to avoid using cloths or sponges which have been in contact with strong or abrasive cleaning products, solvent or thinner, fuel (gasoline), rust removers or inhibitors, brake fluid, antifreeze or electrolyte.**
- **Do not use high-pressure washers or steam-jet cleaners since they cause water seepage and deterioration in the following areas: seals (of wheel and swingarm bearings, fork and brakes), electric components (couplers, connectors, instruments, switches and lights), breather hoses and vents.**
- **For motorcycles equipped with a windshield: Do not use strong cleaners or hard sponges as they will cause dulling or scratching. Some cleaning compounds for plastic may leave scratches on the windshield. Test the product on a small**

Motorcycle care and storage

hidden part of the windshield to make sure that it does not leave any marks. If the windshield is scratched, use a quality plastic polishing compound after washing.

After normal use

Remove dirt with warm water, a mild detergent, and a soft, clean sponge, and then rinse thoroughly with clean water. Use a toothbrush or bottlebrush for hard-to-reach areas. Stubborn dirt and insects will come off more easily if the area is covered with a wet cloth for a few minutes before cleaning.

After riding in the rain, near the sea or on salt-sprayed roads

Since sea salt or salt sprayed on roads during winter are extremely corrosive in combination with water, carry out the following steps after each ride in the rain, near the sea or on salt-sprayed roads.

NOTE

Salt sprayed on roads in the winter may remain well into spring.

1. Clean the motorcycle with cold water and a mild detergent, after the engine has cooled down.

NOTICE

Do not use warm water since it increases the corrosive action of the salt

Apply a corrosion protection spray on all metal, including chrome- and nickel-plated, surfaces to prevent corrosion.

After cleaning

1. Dry the motorcycle with a chamois or an absorbing cloth.
2. Immediately dry the drive chain and lubricate it to prevent it from rusting.
3. Use a chrome polish to shine chrome, aluminum and stainless-steel parts, including the exhaust system. (Even the thermally induced discoloring of stainless-steel exhaust systems can be removed through polishing.)
4. To prevent corrosion, it is recommended to apply a corrosion protection spray on all metal, including chrome and nickel plated, surfaces.
5. Use spray oil as a universal cleaner to remove any remaining dirt.
6. Touch up minor paint damage caused by stones, etc.
7. Wax all painted surfaces.
8. Let the motorcycle dry completely before storing or covering it.



WARNING

Contaminants on the brakes or tires can cause loss of control.

- **Make sure that there is no oil or wax on the brakes or tires.**
- **If necessary, clean the brake discs and brake linings with a regular brake disc cleaner or acetone, and wash the tires with warm water and a mild detergent. Before riding at higher speeds, test the motorcycle's braking performance and cornering behavior.**

NOTICE

- **Apply spray oil and wax sparingly and make sure to wipe off any excess.**
- **Never apply oil or wax to any rubber and plastic parts, but treat them with a suitable care product.**
- **Avoid using abrasive polishing compounds as they will wear away the paint.**

NOTE

- Consult a Benelli dealer for advice on what products to use.
- Washing, rainy weather or humid climates can cause the headlight lens to fog. Turning the headlight on for a short period of time will help remove the moisture from the lens.

Storage

Short-term

Always store your motorcycle in a cool, dry place and, if necessary, protect it against dust with a porous cover. Be sure the engine and the exhaust system are cool before covering the motorcycle.

NOTICE

- **Storing the motorcycle in a poorly ventilated room or covering it with a tarp, while it is still wet, will allow water and humidity to seep in and cause rust.**
- **To prevent corrosion, avoid damp cellars, stables (because of the presence of ammonia) and areas where strong chemicals are stored.**

Long-term

Before storing your motorcycle for several months:

- Follow all the instructions in the "Care" section of this chapter.
- Fill up the fuel tank and add fuel stabilizer (if available) to prevent the fuel tank from rusting and the fuel from deteriorating.
- Perform the following steps to protect the cylinders, piston rings, etc. from corrosion.
 - Remove the spark plug caps and spark plugs.
 - Pour a teaspoonful of engine oil into each spark plug bore.
 - Install the spark plug caps onto the spark plugs, and then place the spark plugs on the cylinder head so that the electrodes are grounded. (This will limit sparking during the next step.)
 - Turn the engine over several times with the starter. (This will coat the cylinder walls with oil.)



WARNING

To prevent damage or injury from sparking, make sure to ground the spark plug electrodes while turning the engine over.

- Remove the spark plug caps from the spark plugs, and then install the spark plugs and the spark plug caps.
- Lubricate all control cables and the pivoting points of all levers and pedals as well as of the sidestand
- Check and, if necessary, correct the tire air pressure, and then lift the motorcycle so that both of its wheels are off the ground. Alternatively, turn the wheels a little every month in order to prevent the tires from becoming degraded in one spot.
- Cover the muffler outlet with a plastic bag to prevent moisture from entering it.
- Remove the battery and fully charge it. Store it in a cool, dry place and charge it once a month. Do not store the battery in an excessively cold or warm place.

NOTE

Make any necessary repairs before storing the motorcycle.

NOTE

.....

.....

.....

.....

.....

.....

.....

.....

.....

DIMENSIONS

Overall length TRK702	2200 mm
Overall length TRK702X	2220 mm
Overall width	925 mm
Overall height TRK702	1390 mm
Overall height TRK702X	1420 mm
Wheelbase TRK702	1505 mm
Wheelbase TRK702X	1505 mm
Seat height TRK702	790 mm
Seat height TRK702X	835 mm

WEIGHTS

Curb weight TRK702	239 kg
Curb weight TRK702X	244 kg
Maximum load TRK702	202 kg
Maximum load TRK702X	197 kg
Total mass	441 Kg

ENGINE

Combustion cycle	4 stroke
Cooling system	Liquid cooled
Valve train	DOHC
Cylinder arrangement	Vertically
Number of cylinders	2 cylinders
Displacement	698 cm ³

Bore x stroke	Ø83 x 64,5 mm
Compression ratio	11,6:1
Starting system	Electric starter
Lubrication system	Wet sump
Reccomended Engine oil	API SN-SAE
SAE viscosity grades	10W50
API classification	SN
Oil change	2,4 +/- 0,1 L (with oil filter replacing) 2,2 +/- 0,1 L (without oil filter replacing)
Coolant quantity	2,0 +/- 0,1 L
Air filter	Paper filtering element
Recommended fuel	Unleaded petrol (gasohol - containing Ethanol up to 10% by volume (E10)
Fuel tank capacity	20 L ± 0.5L
Fuel reserve amount	4 L
Certification	EURO 5
Fuel consumption	4,6 l/100km
CO² emissions	107 g/km
Spark plug(s)	NGK CR8EGP
Spark plug gap	0.7–0.8 mm
Clutch	Wet, multiple-disc
Final drive	Chain
Transmission type	Constant mesh 6-speed

Specifications

CHASSIS

Frame type	Trellis pipes with steel plates
Front tire	Tube type
Size TRK702	120/70 - ZR17 58W
Size TRK702X	110/80- R19 - 59V
Rear tire	Tube type
Size TRK702	160/60 - ZR17 69W
Size TRK702X	150/70 - R17 - 69V
Front tire air pressure	220 ± 10 kPa
Rear tire air pressure	250 ± 10 kPa
Front wheel	Alluminium alloy
Rim size TRK702 / TRK702X	17" x MT 3.50" DOT / 19" x MT3.00" DOT -D
Rear wheel	Alluminium alloy
Rim size TRK702 / TRK702X	17" x MT 4.50" DOT / 17" x MT4.25" DOT - D
Front brake	Double semi-floating disc with 4-piston radial calliper and ABS
Ø Disc	320 mm
Rear brake	Single disc with single piston floating calliper and ABS
Ø Disc	260 mm
Front suspension	Upside - down fork with ø 50mm
Wheel travel TRK702	140 mm
Wheel travel TRK702X	140 mm

Rear suspension	Rear aluminum swing arm with central shock absorber, spring preload, hydraulic rebound and compression setting adjustable
Shock absorber	Hydraulic damper

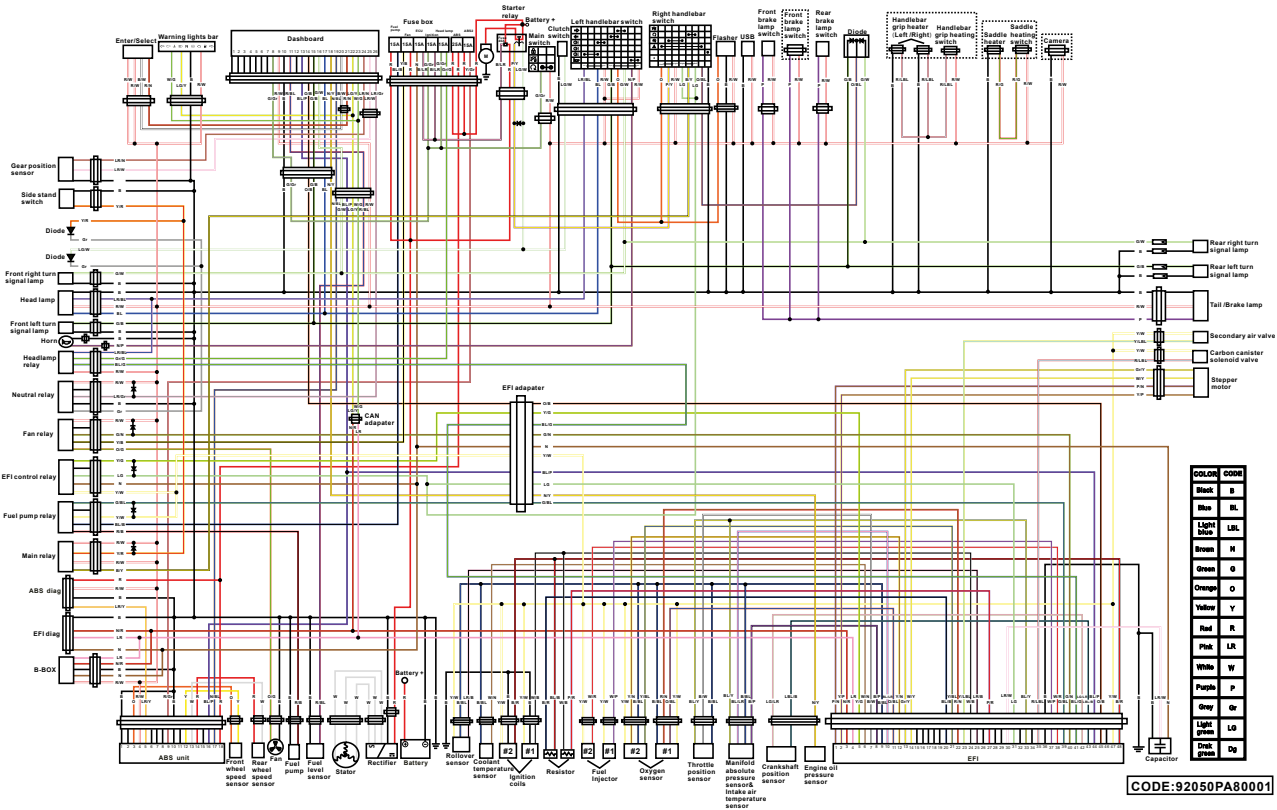
ELECTRICAL SYSTEM

System voltage	12V
Ignition system	Bosch MSE 6.0
Charging system	AC magneto
Battery	YTZ14S NANO-GEL Super Sealed
Voltage, capacity	12V - 11,2Ah
Headlight	LED12V 13/21W
Brake/tail light	LED 12V 1.2/0.3W
Turn signal light	LED 12V 3.6W
Front City Lamp	LED 12V 0.4W
License plate lamp	LED 12V 0.3W
Dashboard warning lights	LED integrate

FUSE(S)

Power lock	15A
ECU	15A
Light	15A
Fan	10A
Fuel pump	15A
Spare	15A / 25A
ABS	15A / 25A

Electric System



NOTE

.....

.....

.....

.....

.....

.....

.....

.....

.....

EN

8

Identification numbers

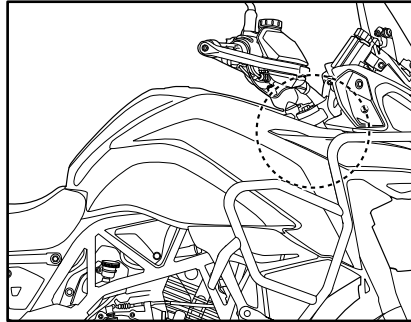
Record the vehicle identification number, engine serial number, and the model label information in the spaces provided below. These identification numbers are needed when registering the vehicle with the authorities in your area and when ordering spare parts from a Benelli dealer.

VEHICLE IDENTIFICATION NUMBER:

ENGINE SERIAL NUMBER:

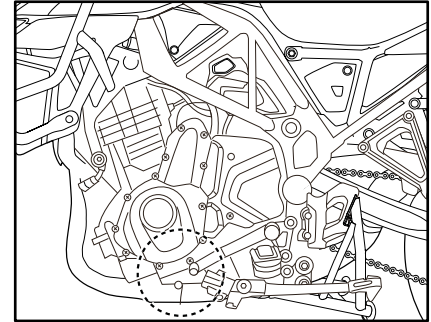
MODEL LABEL INFORMATION:

Vehicle identification number



The identification number of the vehicle is punched on the steering head; this number is registered with the relevant authorities for the area concerned. Record this number in the space provided.

Engine serial number



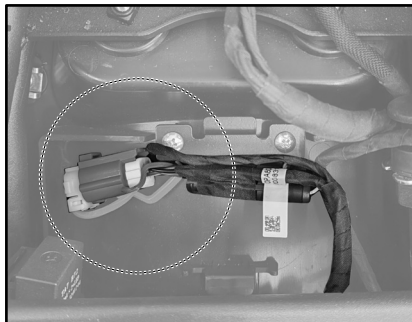
The engine serial number is punched on the engine casing, to the right side of the rider and is the construction serial number of the engine. Record this number in the space provided.

Consumer information

Model label

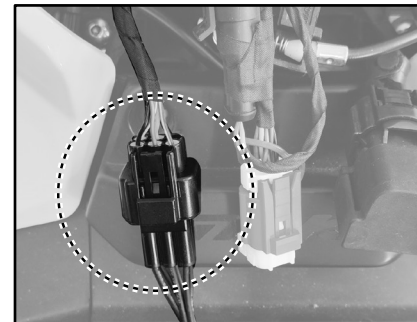
The label of the model is applied to the left side of the steering head. Record the information on this label in the space provided. This information will be needed when ordering spare parts from a Benelli dealer.

Diagnostic connector



The diagnostic connector is located as shown.

B-Box connector



The B-Box device, where it is available, can be connected via the connector in the figure, collects and sends data relating to GPS tracking, as route traveled, speed, distance, travel time, etc. visible through the "MyBenelli" app.

WARNING

Any changes to the ID number stamped on the frame or engine will automatically render the warranty null and void.

Vehicle data recording

This model's ECU stores certain vehicle data to assist in the diagnosis of malfunctions and for research and development purposes.

This data will be uploaded only when a special Benelli diagnostic tool is attached to the vehicle, such as when maintenance checks or service procedures are performed.

Although the sensors and recorded data will vary by model, the main data points are:

- Vehicle status and engine performance data
- Fuel-injection and emission-related data

Benelli will not disclose this data to a third party except:

- With the consent of the vehicle owner
- Where obligated by law
- For use by Benelli in litigation
- For general Benelli-conducted research purposes when the data is not related to an individual vehicle nor owner